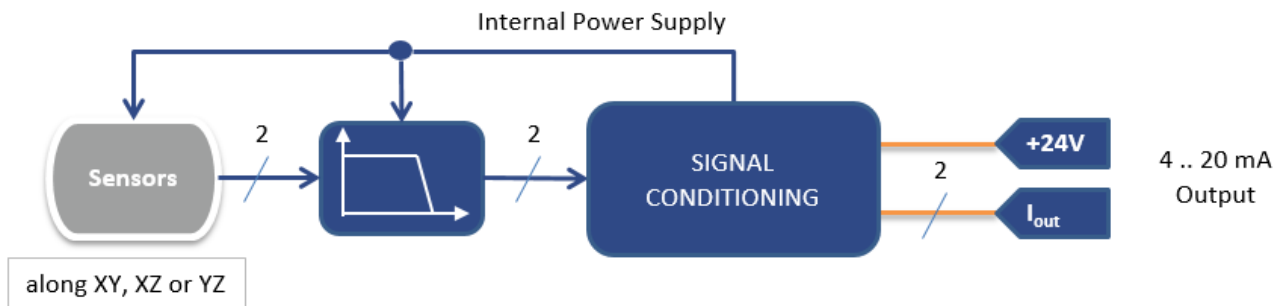




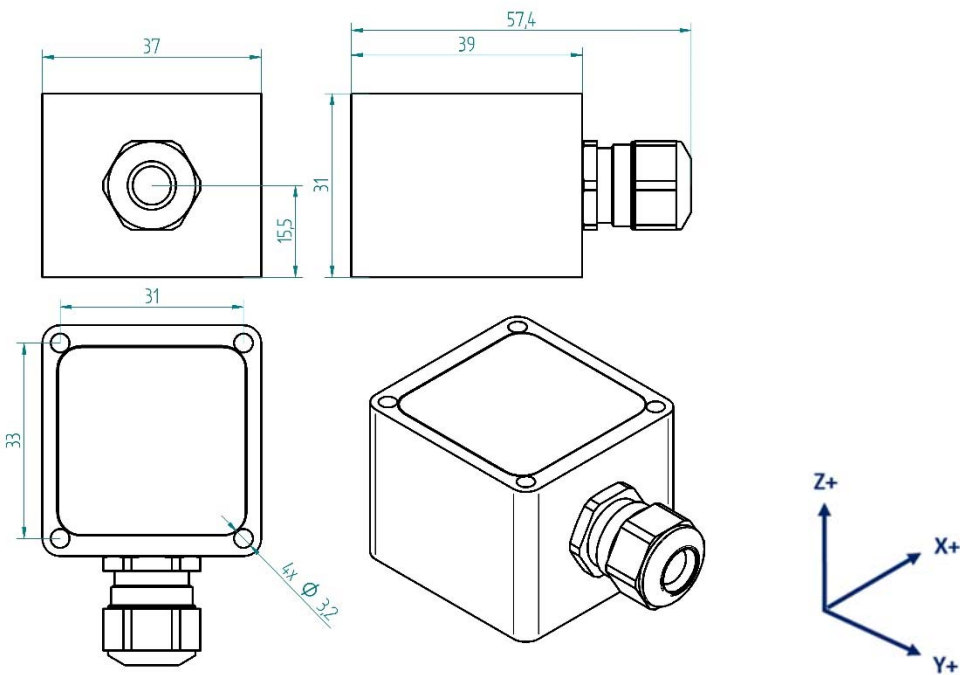
Properties

- 2 axis, low noise, high resolution
- Suited for direct connection to standard control and measurement equipment, e.g. PLCs or panel meters
- Embedded 4..20mA signal conditioning
- Galvanically Isolated
- Protected against false polarization
- Compact and rugged design
- Protection grade IP67

Block Diagram



Dimensions



Rue du Trou du Sart 10
B-5380 Fernelmont
Belgium
EU ID.:BE0466034916

Tel. +32(0)81248100
Fax. +32(0)81248101
info@recovib.com
<http://www.recovib.com>

High Resolution Industrial Accelerometer (4..20mA)

RECOVIB
IAC-HiRes-I-02



Rue du Trou du Sart 10
B-5380 Fernelmont
Belgium
EU ID.:BE0466034916

Tel. +32(0)81248100
Fax. +32(0)81248101
info@recovib.com
<http://www.recovib.com>

Specifications – All Models

Output / channel	Output Range	4 . . 20 mA	
	Supply voltage	10...30 VDC	
	Lower frequency limit	0 Hz (DC)	
	Non-linearity	± 0.5% F.S.	
	Sensitivity error	0.5 % typ. – 1 % max.	
	Transverse Sensitivity	2 % typ. – 3 % max.	
	Offset	0.2 % F.S. typ. – 0.5 % F.S. max.	
	Destruction limit	± 5000 g	
Environmental characteristics		Operating	Non-Operating
	Operating temperature range	-40...80 °C ⁽¹⁾	-55...125 °C
	Temperature coefficient of sensitivity	± 0.03 %/°C	
	Temperature drift of zero point	± 0.02 % F.S./°C	
	Protection grade	IP 67	
Mechanical Data	Weight Without Cable	45gr	
	Case Material	Aluminum (MIL-A-8625 Type II coating) ⁽²⁾	
	Mounting	3.2 mm diameter holes (4x)	

(1) Maximum temperature due to accelerometer cable – operating temperature up to +125°C possible with special cable upon request

(2) Stainless Steel Casing and Cable Gland A4 (AISI316) Grade Upon Request (e.g. for offshore/marine environment)

Performances - By Model

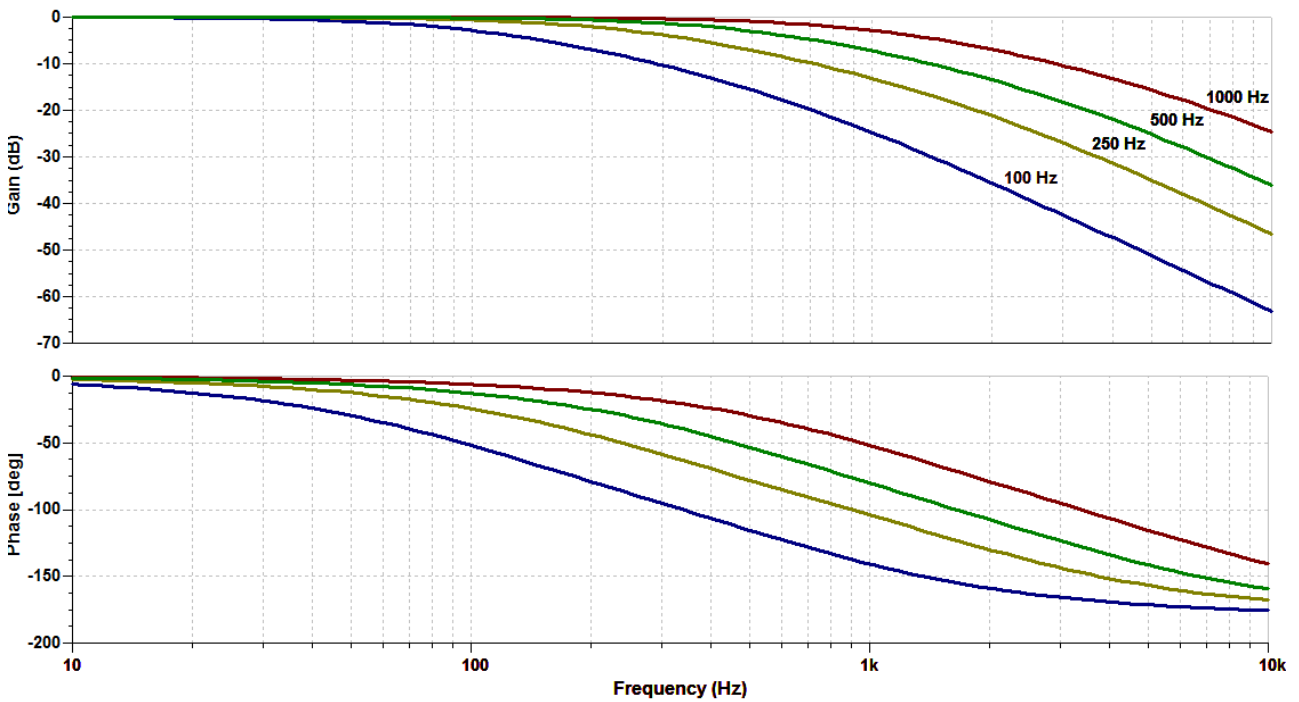
Range	Sensitivity	Frequency Response (-3dB)	Noise
g	µA/g	Hz	µg/√Hz
± 2	4000	0 – 400	8
± 5	1600	0 – 600	10
± 10	800	0 – 1000	13
± 25	320	0 – 1500	28
± 50	160	0 – 2000	53
± 100	80	0 – 2500	100
± 200	40	0 – 3000	200
± 400	20	0 - 4000	400



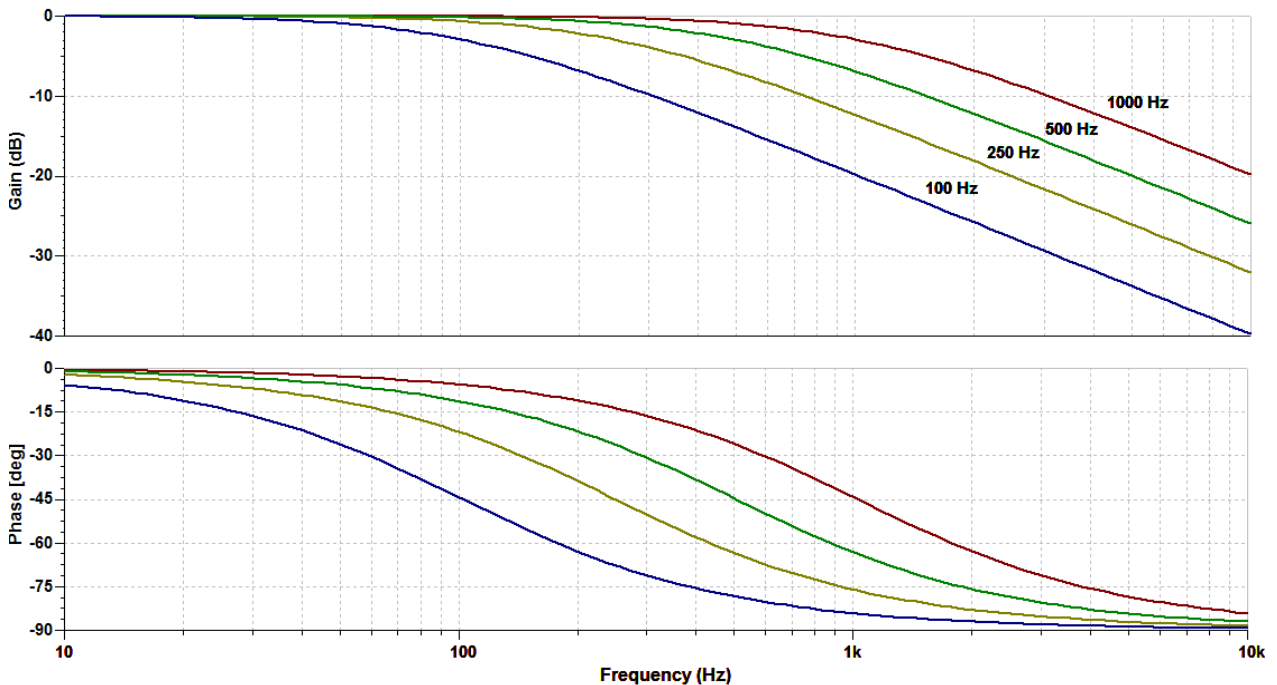
Rue du Trou du Sart 10
B-5380 Fernelmont
Belgium
EU ID.:BE0466034916

Tel. +32(0)81248100
Fax. +32(0)81248101
info@recovib.com
<http://www.recovib.com>

Possible Filter Amplitude Responses



2nd order filters



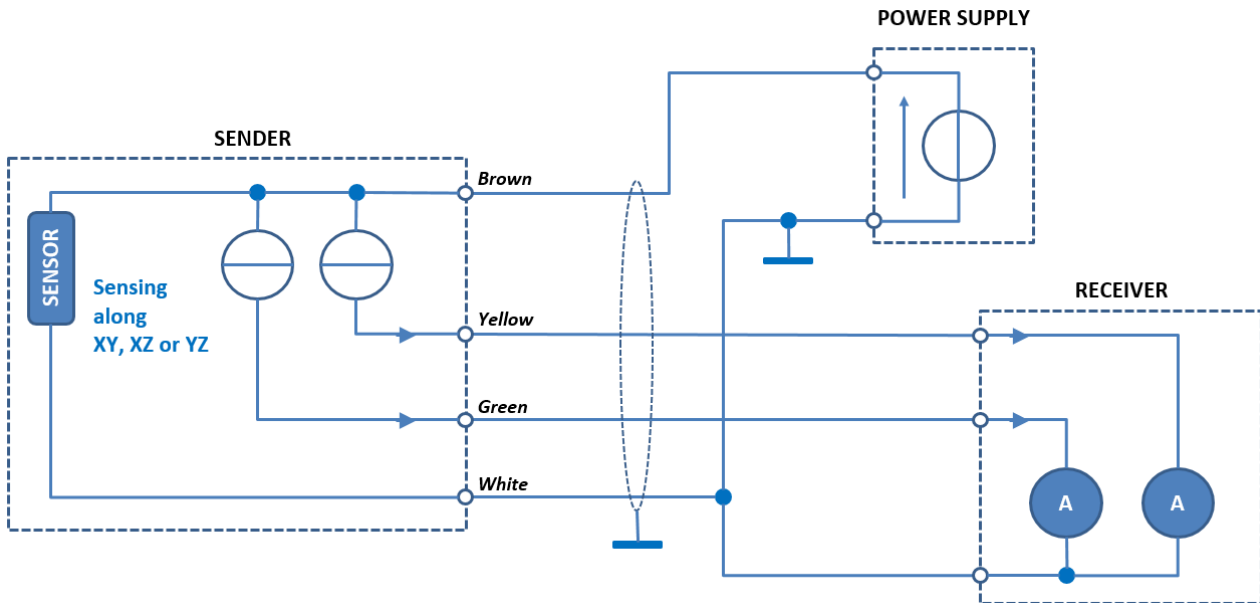
1st order filters



Rue du Trou du Sart 10
 B-5380 Fernelmont
 Belgium
 EU ID.:BE0466034916

Tel. +32(0)81248100
 Fax. +32(0)81248101
info@recovib.com
<http://www.recovib.com>

Electrical Connections



Ordering Information

IAC	-	HiRes	-	02	-	AA	-	X	-	XXXX Hz	-	X	-	XXXX cm	
						Sensing Axes		Range		Low Pass Filter Frequency		Filter Order		Cable Length	
						XY	2	± 2g	0100	100Hz	1	1 st order			
						XZ	6	± 6g	0250	250Hz	2	2 nd order			
						YZ			0500	500Hz					
									1000	1000Hz					



Rue du Trou du Sart 10
B-5380 Fernelmont
Belgium
EU ID.:BE0466034916

Tel. +32(0)81248100
Fax. +32(0)81248101
info@recovib.com
<http://www.recovib.com>