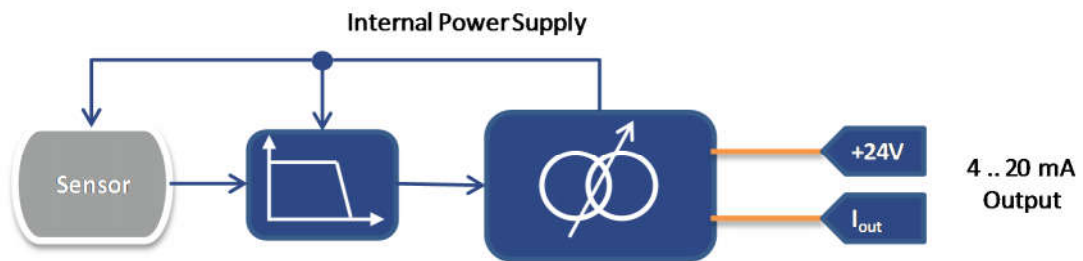




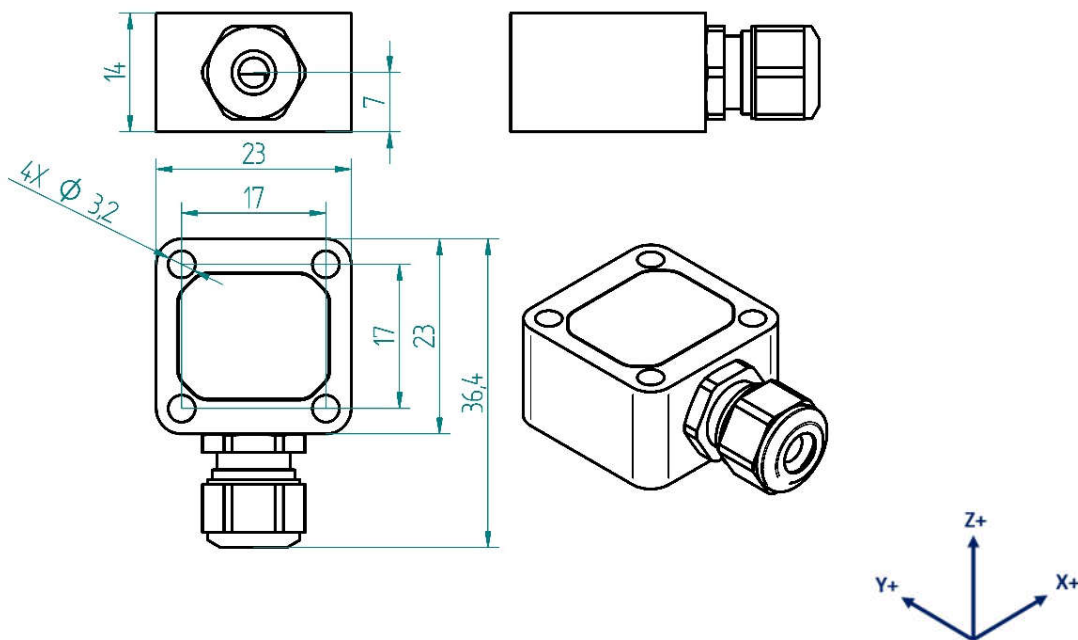
Properties

- Suited for direct connection to standard control and measurement equipment, e.g. PLCs or panel meters
- Embedded 4..20mA signal conditioning
- Self-powered Current Loop
- Galvanically Isolated
- Protected against false polarization
- Compact and rugged design
- Protection grade IP67

Block Diagram



Dimensions



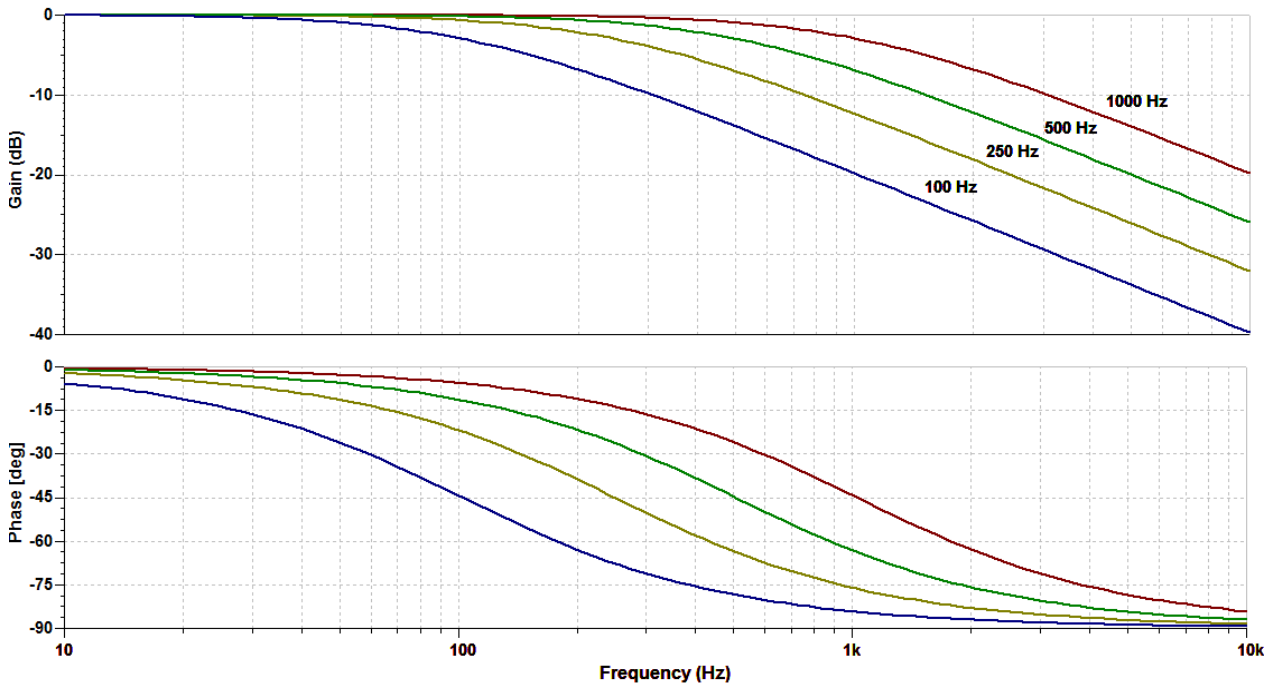
Rue du Trou du Sart 10
B-5380 Fernelmont
Belgium
EU ID.:BE0466034916

Tel. +32(0)81248100
Fax. +32(0)81248101
info@recovib.com
<http://www.recovib.com>

Specifications

Output	Output Range	4 .. 20 mA	
	Supply Voltage	12 .. 30 V	
	Measuring Range	±2 g or ±6 g	
	Sensitivity	4.05 mA/g or 1.35 mA/g	
	Lower frequency limit	0 Hz (DC)	
	Max. Upper 3 dB frequency limit	1000 Hz	
	Non-linearity	±0.5% F.S.	
	Residual noise	50 µg/√Hz	
	Transverse sensitivity	< 5%	
	Destruction limit	±5000 g	
Environmental characteristics		Operating	Non-Operating
	Temperature Range	-20 .. 85°C (-4 .. 185°F)	-40 .. 85°C (-40 .. 167°F)
	Temperature coefficient of sensitivity	±0.01 %/°C	
	Temperature drift of zero point	±0.5 mg/°C	
Protection grade	IP 67		
Mechanical Data	Weight Without Cable	30 gr (1 oz)	
	Case Material	Aluminum (MIL-A-8625 Type I coating)	
	Mounting	3.2 mm diameter holes (x4)	

Possible Filter Amplitude Responses



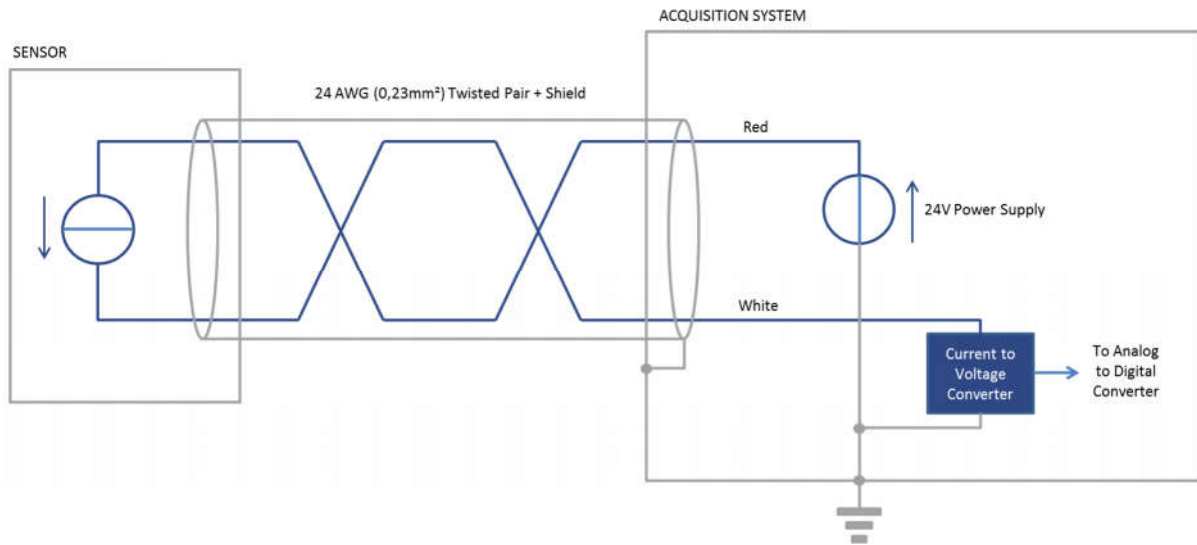
1st order filters



Rue du Trou du Sart 10
B-5380 Fernelmont
Belgium
EU ID.:BE0466034916

Tel. +32(0)81248100
Fax. +32(0)81248101
info@recovib.com
<http://www.recovib.com>

Electrical Connections



Ordering Information

IAC	-	I	-	01	-	A	-	X	-	XXXX Hz	-	XXXX cm
						Sensing Axis						
						X	RANGE		Low Pass Filter Frequency		Cable Length	
						Y	2	± 2g	0100	100Hz		
						Z	6	± 6g	0250	250Hz		
									0500	500Hz		
									1000	1000Hz		



Rue du Trou du Sart 10
B-5380 Fernelmont
Belgium
EU ID.:BE0466034916

Tel. +32(0)81248100
Fax. +32(0)81248101
info@recovib.com
<http://www.recovib.com>