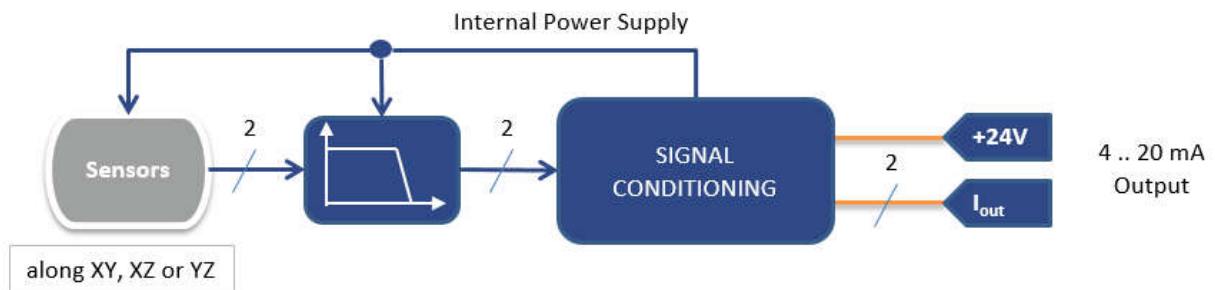




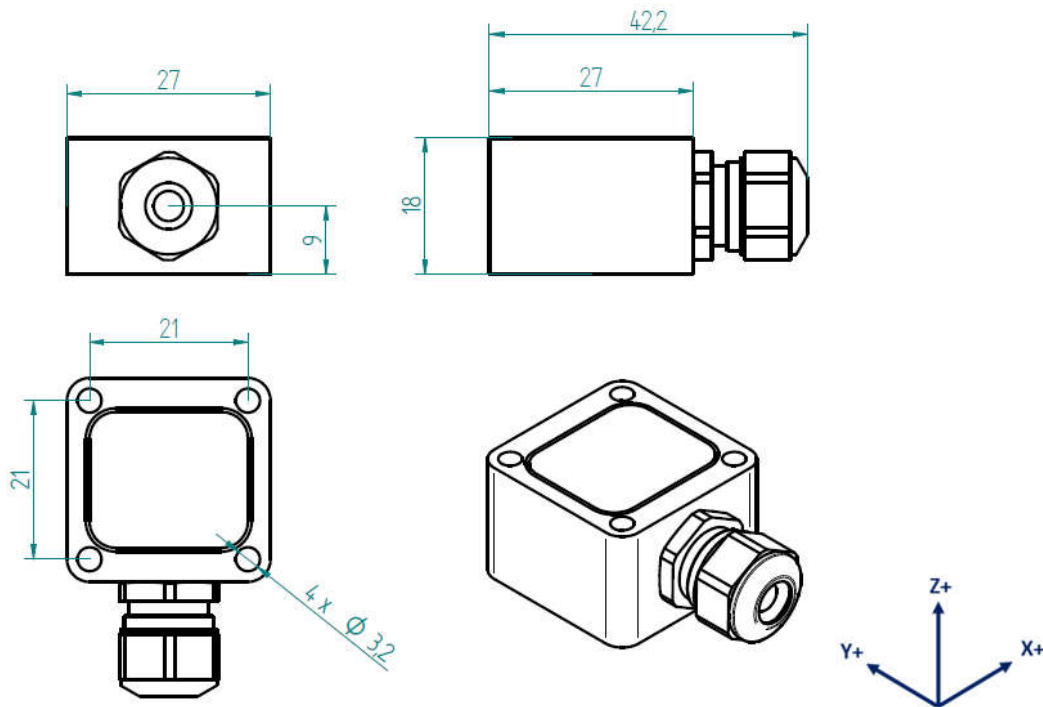
Properties

- 2 axis
- Suited for direct connection to standard control and measurement equipment, e.g. PLCs or panel meters
- Embedded 4..20mA signal conditioning
- Galvanically Isolated
- Protected against false polarization
- Compact and rugged design
- Protection grade IP67

Block Diagram



Dimensions



Rue du Trou du Sart 10  
B-5380 Fernelmont  
Belgium  
EU ID.:BE0466034916

Tel. +32(0)81248100  
Fax. +32(0)81248101  
[info@recovib.com](mailto:info@recovib.com)  
<http://www.recovib.com>

Specifications

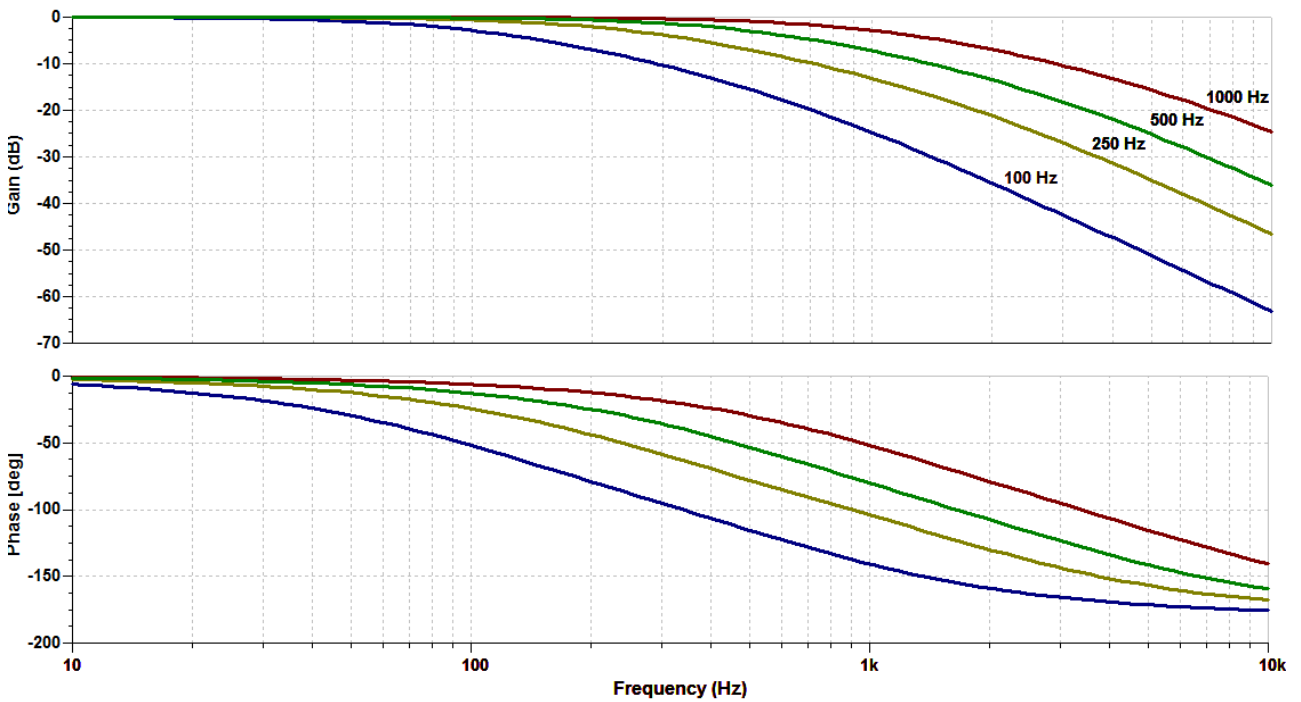
Output / channel	Output Range	4 .. 20 mA	
	Supply voltage	12 .. 30 V	
	Measuring Range	±2 g or ±6 g	
	Sensitivity	3.20 mA/g (±2g range) or 1.07 mA/g (±6g range)	
	Lower frequency limit	0 Hz (DC)	
	Upper 3 dB frequency limit	100, 250, 500, or 1000 Hz (1 <sup>st</sup> and 2 <sup>nd</sup> order)	
	Non-linearity	±0.5% F.S.	
	Residual noise	< 50 µg/√Hz	
	Transverse sensitivity	< 5%	
	Destruction limit	±5000 g	
Environmental characteristics		<b>Operating</b>	<b>Non-Operating</b>
	Operating temperature range	-20 .. 85°C (-4 .. 185°F)	-40 .. 85°C (-40 .. 167°F)
	Temperature coefficient of sensitivity	±0.01 %/°C	
	Temperature drift of zero point	±0.5 mg/°C	
Protection grade	IP 67		
Mechanical Data	Weight Without Cable	30 gr	
	Case Material	Aluminum (MIL-A-8625 Type I coating)	
	Mounting	3.2mm diameter holes (4x)	



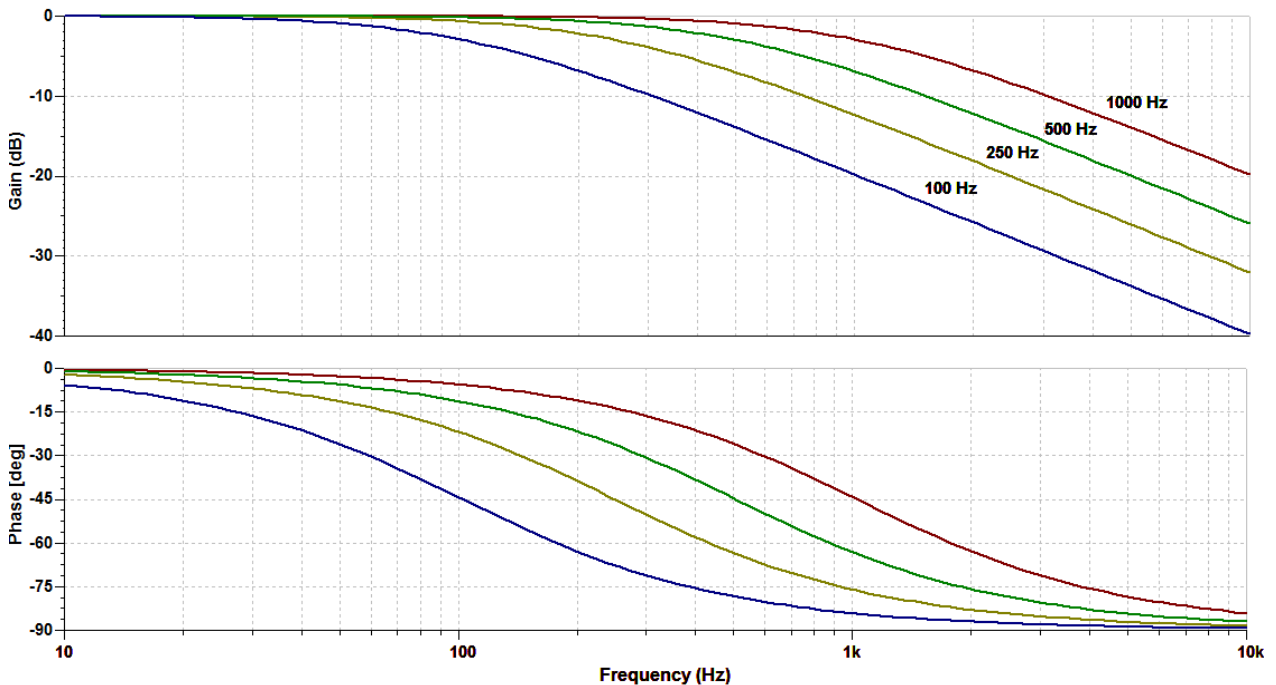
Rue du Trou du Sart 10  
B-5380 Fernelmont  
Belgium  
EU ID.:BE0466034916

Tel. +32(0)81248100  
Fax. +32(0)81248101  
[info@recovib.com](mailto:info@recovib.com)  
<http://www.recovib.com>

Possible Filter Amplitude Responses



2<sup>nd</sup> order filters



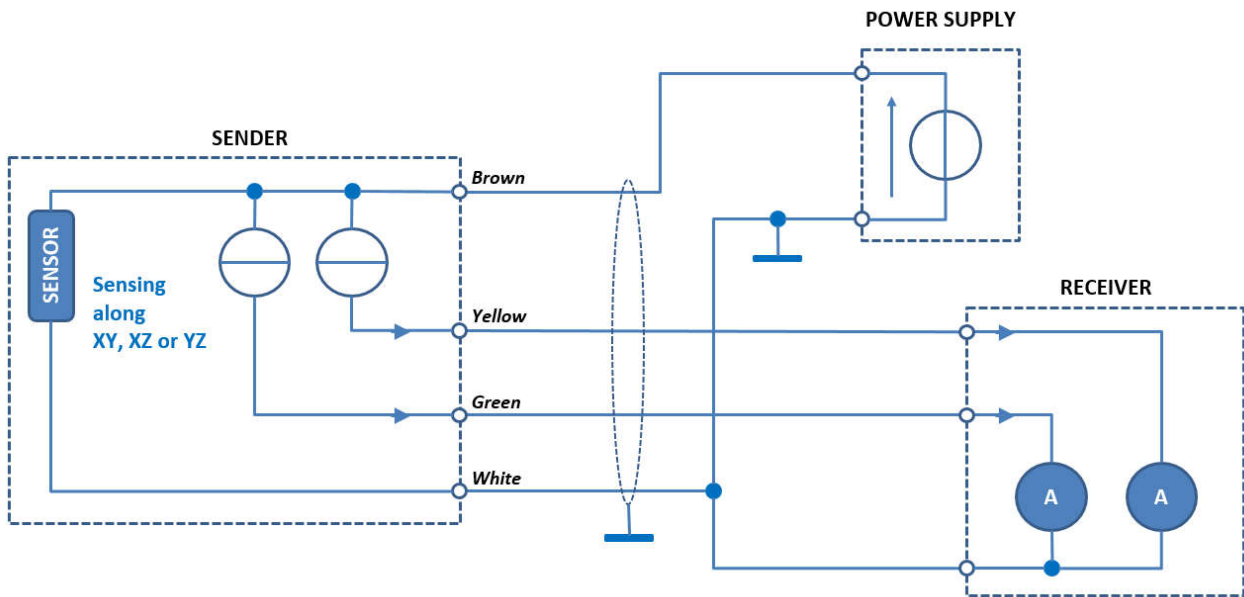
1<sup>st</sup> order filters



Rue du Trou du Sart 10  
B-5380 Fernelmont  
Belgium  
EU ID.:BE0466034916

Tel. +32(0)81248100  
Fax. +32(0)81248101  
[info@recovib.com](mailto:info@recovib.com)  
<http://www.recovib.com>

Electrical Connections



Ordering Information

<b>IAC</b>	-	<b>I</b>	-	<b>02</b>	-	<b>AA</b>	-	<b>X</b>	-	<b>XXXX Hz</b>	-	<b>X</b>	-	<b>XXXX cm</b>
						<b>Sensing Axes</b>		<b>Range</b>		<b>Low Pass Filter Frequency</b>		<b>Filter Order</b>		<b>Cable Length</b>
						XY		2 ± 2g		0100   100Hz		1   1 <sup>st</sup> order		
						XZ		6 ± 6g		0250   250Hz		2   2 <sup>nd</sup> order		
						YZ				0500   500Hz				
										1000   1000Hz				



Rue du Trou du Sart 10  
B-5380 Fernelmont  
Belgium  
EU ID.:BE0466034916

Tel. +32(0)81248100  
Fax. +32(0)81248101  
[info@recovib.com](mailto:info@recovib.com)  
<http://www.recovib.com>