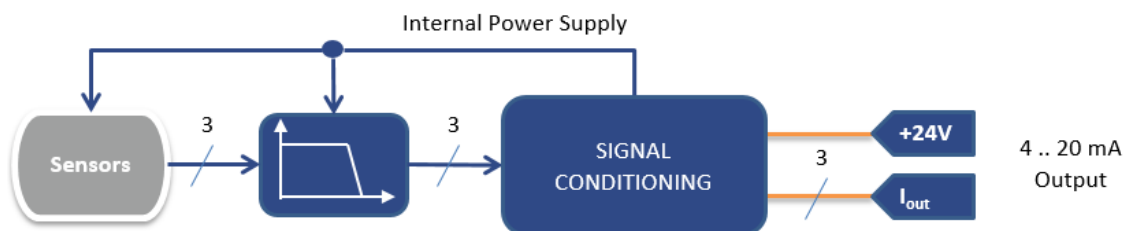




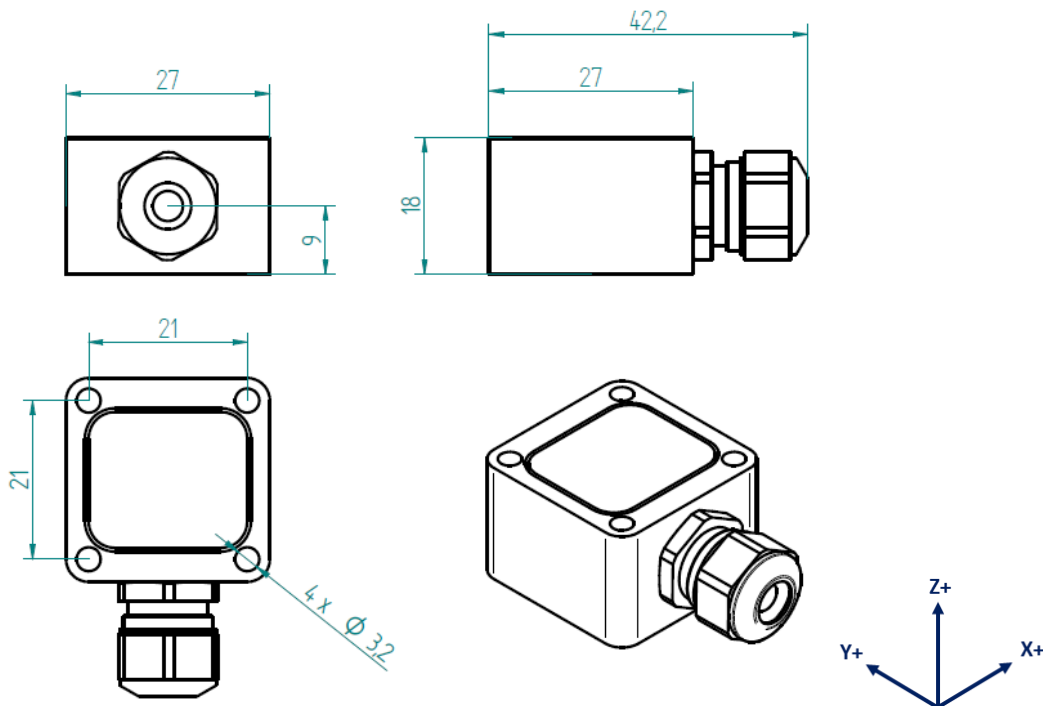
Properties

- 3 axis
- Suited for direct connection to standard control and measurement equipment, e.g. PLCs or panel meters
- Embedded 4..20mA signal conditioning
- Galvanically Isolated
- Protected against false polarization
- Compact and rugged design
- Protection grade IP67

Block Diagram



Dimensions



Rue du Trou du Sart 10
B-5380 Fernelmont
Belgium
EU ID.:BE0466034916

Tel. +32(0)81248100
Fax. +32(0)81248101
info@recovib.com
<http://www.recovib.com>

Specifications

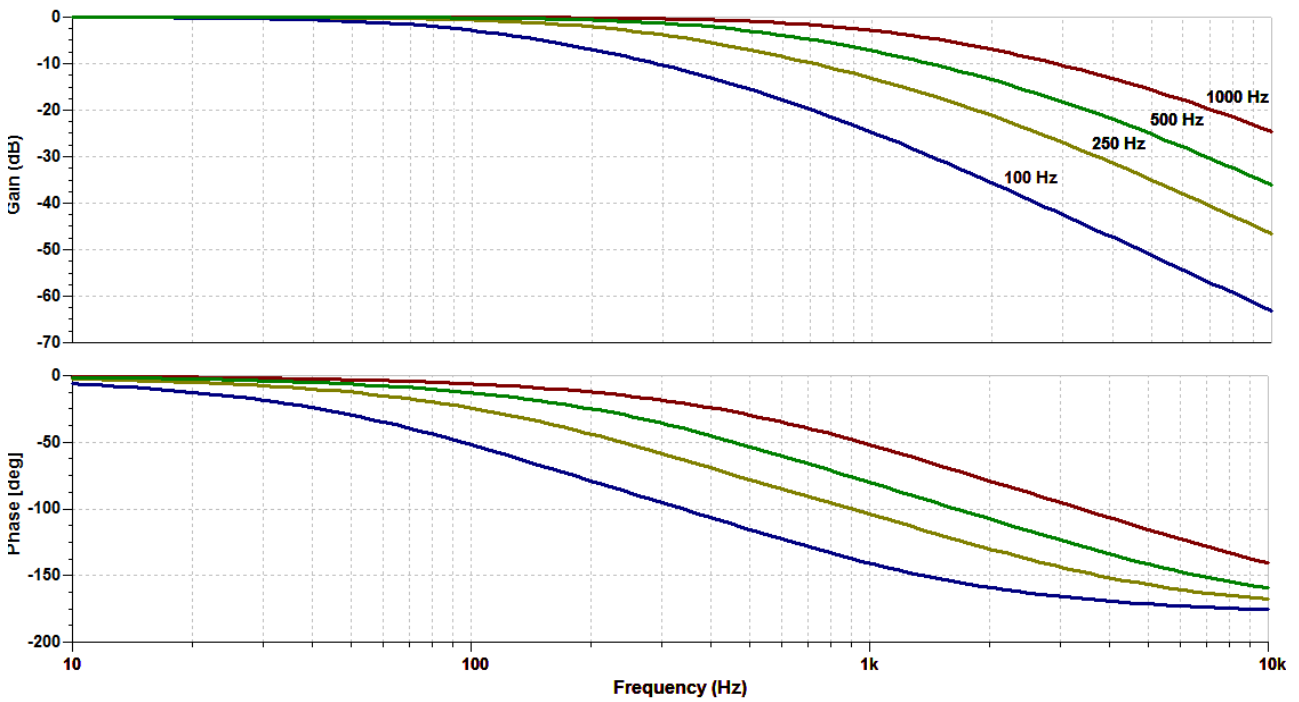
Output / channel	Output Range	4 .. 20 mA	
	Supply voltage	12 .. 30 V	
	Measuring Range	±2 g or ±6 g	
	Sensitivity	3.20 mA/g (±2g range) or 1.07 mA/g (±6g range)	
	Lower frequency limit	0 Hz (DC)	
	Upper 3 dB frequency limit	100, 250, 500, or 1000 Hz (1 st and 2 nd order)	
	Non-linearity	±0.5% F.S.	
	Residual noise	< 50 µg/√Hz	
	Transverse sensitivity	< 5%	
	Destruction limit	±5000 g	
Environmental characteristics		Operating	Non-Operating
	Operating temperature range	-20 .. 85°C (-4 .. 185°F)	-40 .. 85°C (-40 .. 167°F)
	Temperature coefficient of sensitivity	±0.01 %/°C	
	Temperature drift of zero point	±0.5 mg/°C	
Protection grade	IP 67		
Mechanical Data	Weight Without Cable	30 gr	
	Case Material	Aluminum (MIL-A-8625 Type I coating)	
	Mounting	3.2mm diameter holes (4x)	



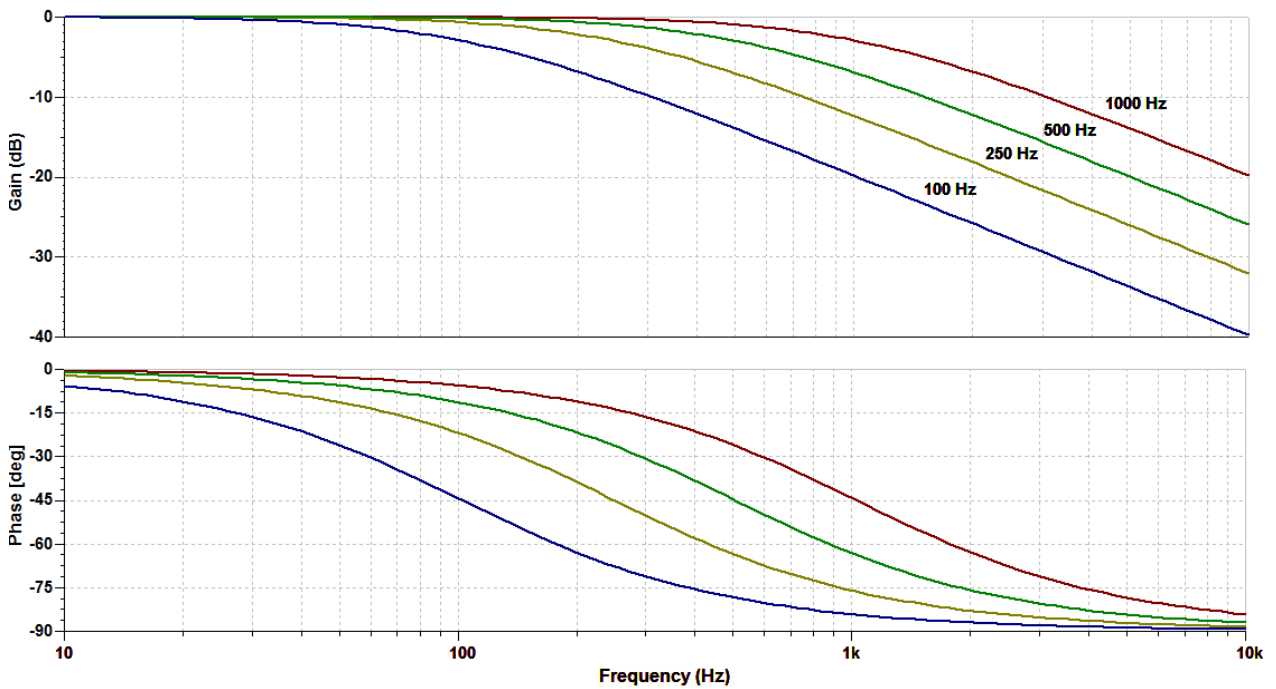
Rue du Trou du Sart 10
B-5380 Fernelmont
Belgium
EU ID.:BE0466034916

Tel. +32(0)81248100
Fax. +32(0)81248101
info@recovib.com
<http://www.recovib.com>

Possible Filter Amplitude Responses



2nd order filters



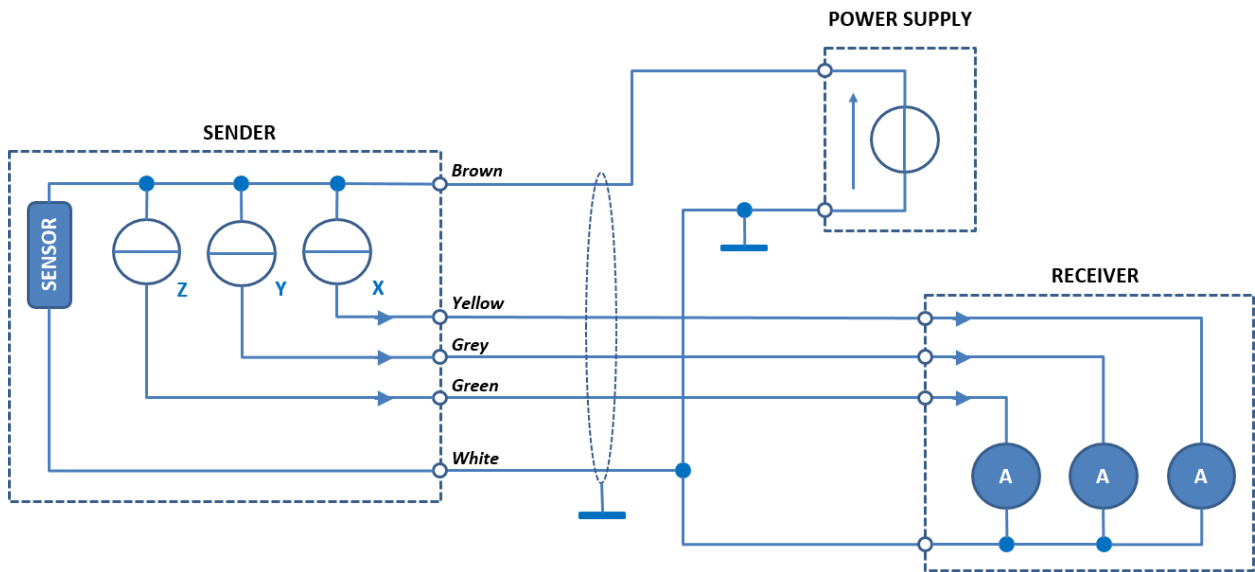
1st order filters



Rue du Trou du Sart 10
B-5380 Fernelmont
Belgium
EU ID.:BE0466034916

Tel. +32(0)81248100
Fax. +32(0)81248101
info@recovib.com
<http://www.recovib.com>

Electrical Connections



Ordering Information

IAC	-	I	-	03	-	X g	-	XXXX Hz	-	X	-	XXXX cm	
				RANGE		Low Pass Filter Frequency				Low Pass Filter Order		Cable Length	
				2	± 2g	0100	100Hz	1	1st order				
				6	± 6g	0250	250Hz	2	2nd order				
						0500	500Hz						
						1000	1000Hz						



Rue du Trou du Sart 10
B-5380 Fernelmont
Belgium
EU ID.:BE0466034916

Tel. +32(0)81248100
Fax. +32(0)81248101
info@recovib.com
<http://www.recovib.com>