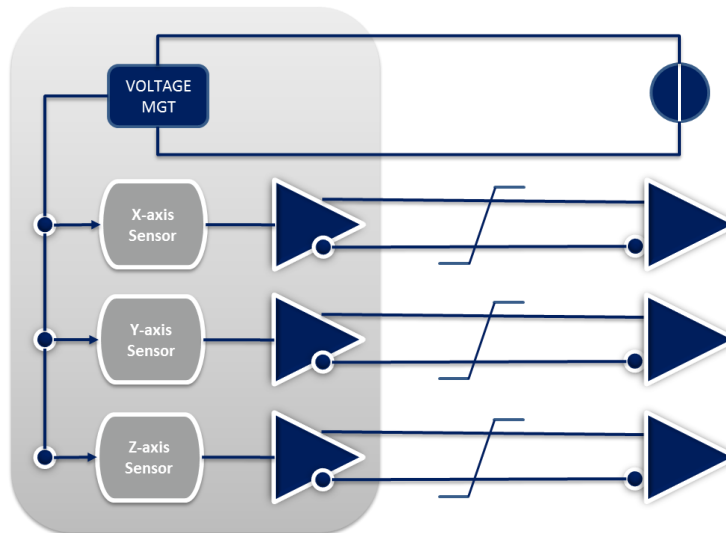




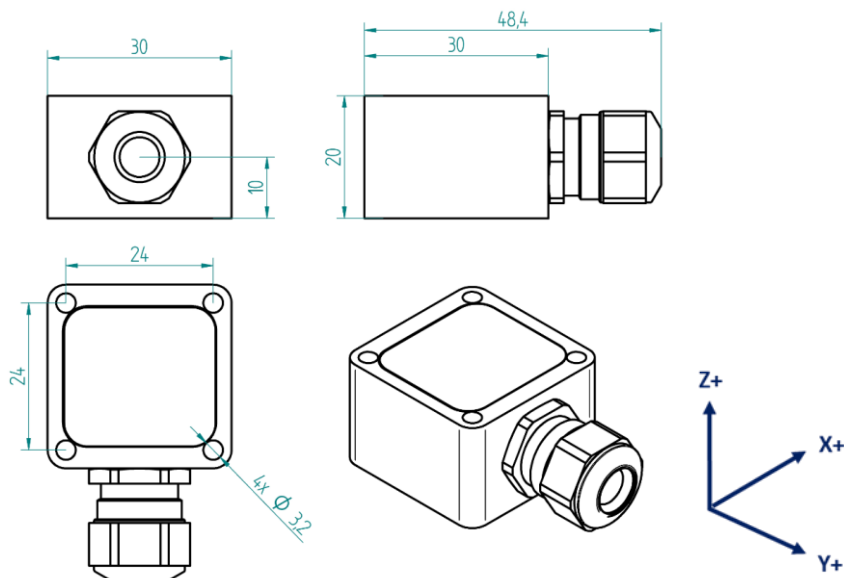
Properties

- 3 axis, low noise accelerometer
- Amplified $\pm 4V$ differential output
- Suited for direct connection to standard control and measurement equipment, e.g. PLCs or panel meters
- Embedded signal conditioning
- Compact and rugged design
- Protection grade IP67

Block Diagram



Dimensions



Rue du Trou du Sart 10
B-5380 Fernelmont
Belgium
EU ID.:BE0466034916

Tel. +32(0)81248100
Fax. +32(0)81248101
info@recovib.com
<http://www.recovib.com>

Performances - All Models

Output / channel	Output Range	± 4V	
	Supply voltage	10...30 VDC	
	Lower frequency limit	0 Hz (DC)	
	Non-linearity	± 0.5% F.S.	
	Sensitivity error	0.5 % typ. – 1 % max.	
	Transverse Sensitivity	2 % typ. – 3 % max.	
	Offset	0.2 % F.S. typ. – 0.5 % F.S. max.	
	Destruction limit	± 5000 g	
Environmental characteristics		Operating	Non-Operating
	Operating temperature range	-40...80 °C ⁽¹⁾	-55...125 °C
	Temperature coefficient of sensitivity	± 0.03 %/°C	
	Temperature drift of zero point	± 0.02 % F.S./°C	
	Protection grade	IP 67	
Mechanical Data	Weight Without Cable	40 gr	
	Case Material	Aluminum (MIL-A-8625 Type II coating) ⁽²⁾	
	Mounting	3.2 mm diameter holes (4x)	

⁽¹⁾ Maximum temperature due to accelerometer cable – operating temperature up to +125°C possible with special cable upon request

⁽²⁾ Stainless Steel Casing and Cable Gland A4 (AISI316) Grade Upon Request (e.g. for offshore/marine environment)

Performances - By Model

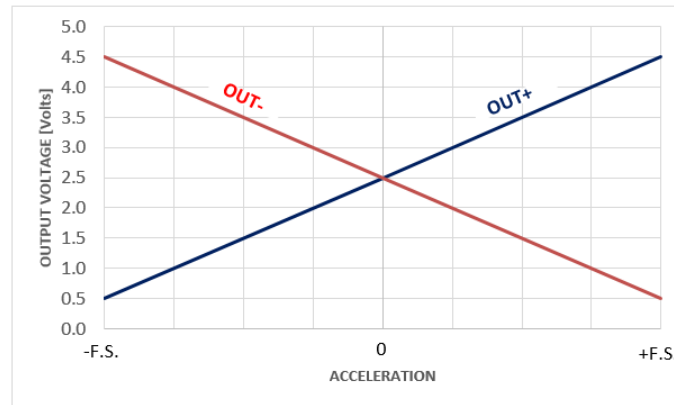
Range	Sensitivity	Frequency response (-3dB)	Noise
g	mV/g	Hz	µg/√Hz
± 2	2000	0 – 400	5
± 5	800	0 – 600	7
± 10	400	0 – 1000	10
± 25	160	0 – 1500	25
± 50	80	0 – 2000	50
± 100	40	0 – 2500	100
± 200	20	0 – 3000	200
± 400	10	0 - 4000	400



Rue du Trou du Sart 10
B-5380 Fernelmont
Belgium
EU ID.:BE0466034916

Tel. +32(0)81248100
Fax. +32(0)81248101
info@recovib.com
<http://www.recovib.com>

Electrical Response



Electrical Connections

Signal	2 x 4 x 0.14 ²
supply+	white
supply-	brown
x-axis +	yellow
x-axis -	green
y-axis +	pink
y-axis -	grey
z-axis +	red
z-axis -	blue

Ordering Information

IAC	-	HiRes	-	Ud	-	03	-	X g	-	XXXX cm
									RANGE	Cable Length
									2	± 2g
									6	± 6g
									10	± 10g
									25	± 25g
									50	± 50g
									100	± 100g
									200	± 200g
									400	± 400g



Rue du Trou du Sart 10
 B-5380 Fernelmont
 Belgium
 EU ID.:BE0466034916

Tel. +32(0)81248100
 Fax. +32(0)81248101
info@recovib.com
<http://www.recovib.com>