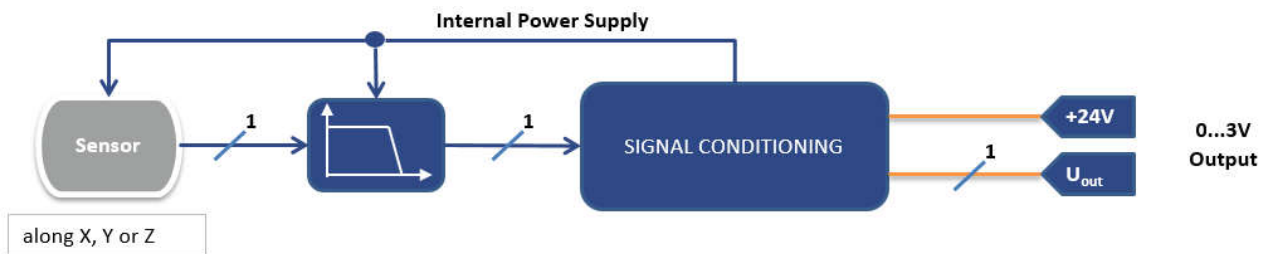




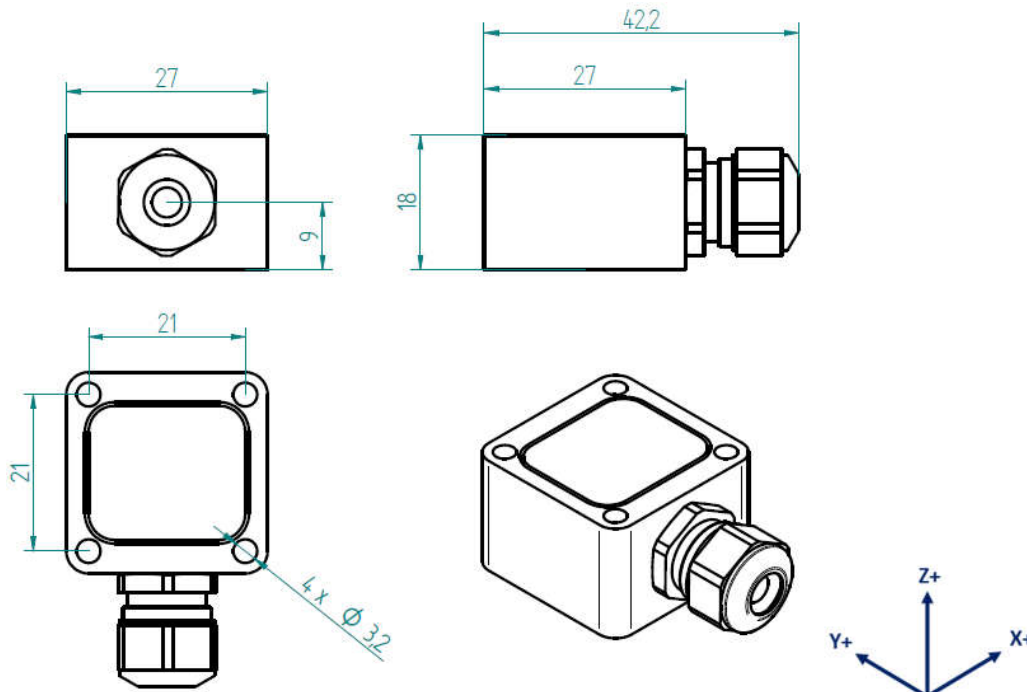
Properties

- 1 axis
- Suited for direct connection to standard control and measurement equipment, e.g. PLCs or panel meters
- Embedded 0..3V signal conditioning
- Galvanically Isolated
- Protected against false polarization
- Compact and rugged design
- Protection grade IP67

Block Diagram



Dimensions



Rue du Trou du Sart 10
B-5380 Fernelmont
Belgium
EU ID.:BE0466034916

Tel. +32(0)81248100
Fax. +32(0)81248101
info@recovib.com
<http://www.recovib.com>

Specifications

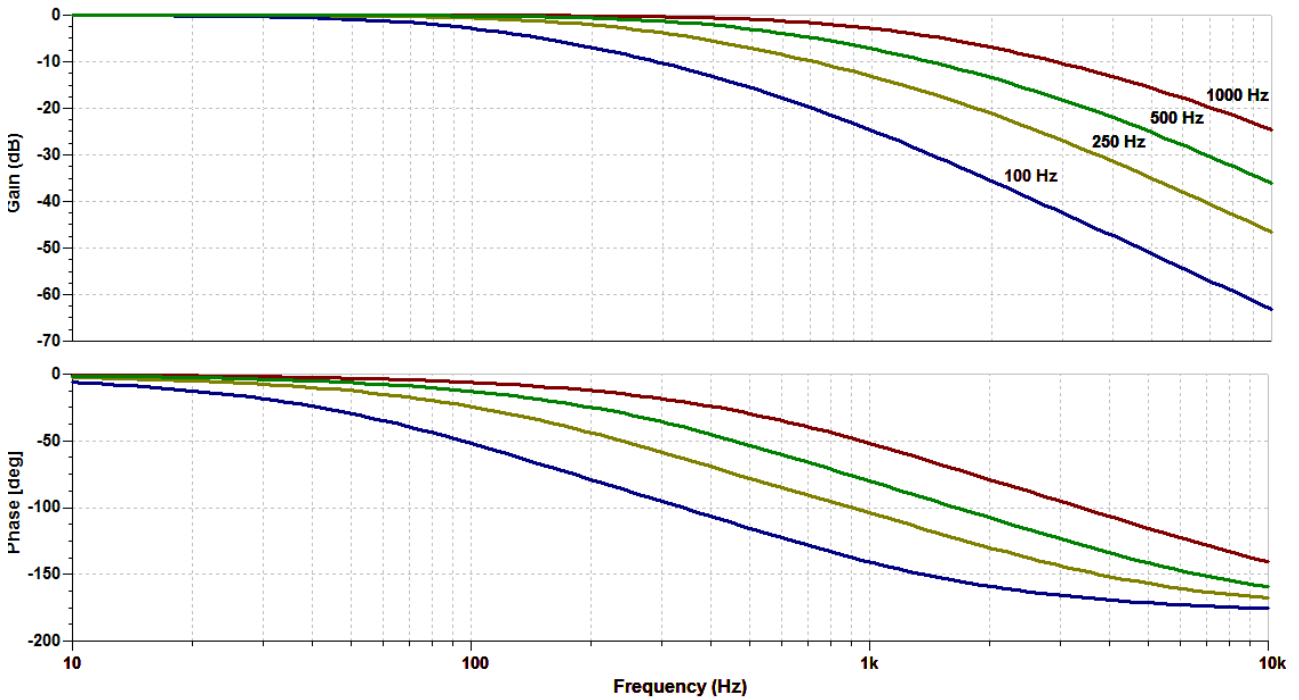
Output / channel	Output Range	0 .. 3.0V	
	Supply voltage	12 ..30V	
	Measuring Range	±2 g or ±6 g	
	Sensitivity	0.6 V /g (±2g range) or 0.2V/g (±6g range)	
	Lower frequency limit	0 Hz (DC)	
	Upper -3 dB frequency limit	100, 250, 500 or 1000 Hz (1 st or 2 nd order)	
	Non-linearity	±0.5% F.S.	
	Residual noise	< 50 µg/√Hz	
	Transverse sensitivity	< 5%	
	Destruction limit	±5000 g	
Environmental characteristics		Operating	Non-Operating
	Operating temperature range	-20 .. 85°C (-4 .. 185°F)	-40 .. 85°C (-40 .. 167°F)
	Temperature coefficient of sensitivity	±0.01 %/°C	
	Temperature drift of zero point	±0.5 mg/°C	
	Protection grade	IP 67	
Mechanical Data	Weight Without Cable	30gr	
	Case Material	Aluminum (MIL-A-8625 Type I coating)	
	Mounting	3.2mm diameter holes (4x)	



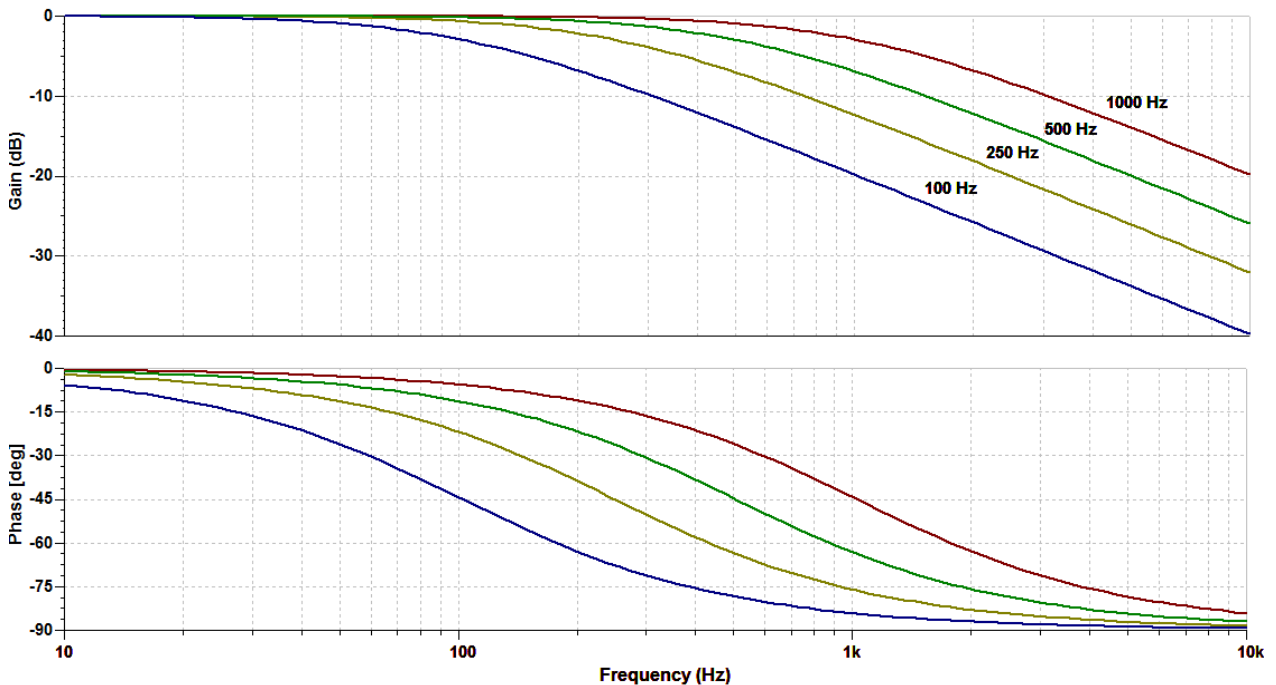
Rue du Trou du Sart 10
B-5380 Fernelmont
Belgium
EU ID.:BE0466034916

Tel. +32(0)81248100
Fax. +32(0)81248101
info@recovib.com
<http://www.recovib.com>

Possible Internal Filter Frequency Responses



2nd order filters



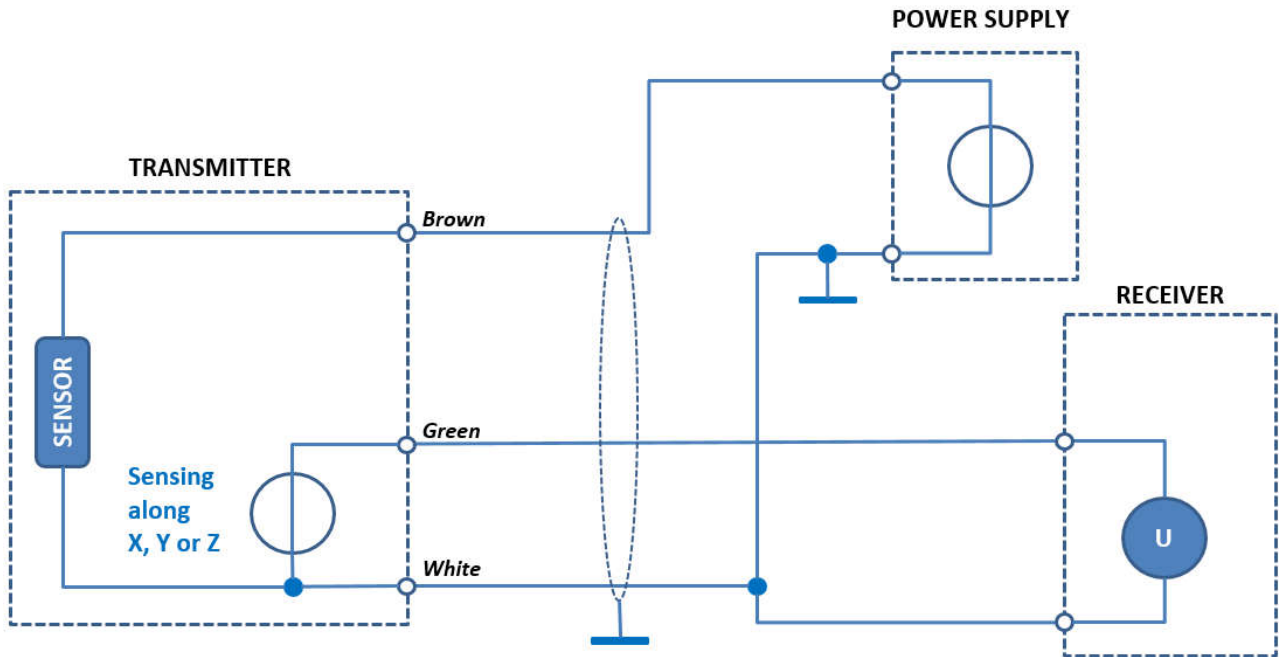
1st order filters



Rue du Trou du Sart 10
B-5380 Fernelmont
Belgium
EU ID.:BE0466034916

Tel. +32(0)81248100
Fax. +32(0)81248101
info@recovib.com
<http://www.recovib.com>

Electrical Connections



Ordering Information

IAC	-	U	-	01	-	A	-	X g	-	XXXX Hz	-	X	-	XXXX cm	
						Sensing Axis		RANGE		Low Pass Filter Frequency		Low Pass Filter Order		Cable Length	
						X	2	± 2g	0100	100Hz	1	1st order			
						Y	6	± 6g	0250	250Hz	2	2nd order			
						Z			0500	500Hz					
										1000	1000Hz				



Rue du Trou du Sart 10
B-5380 Fernelmont
Belgium
EU ID.:BE0466034916

Tel. +32(0)81248100
Fax. +32(0)81248101
info@recovib.com
<http://www.recovib.com>