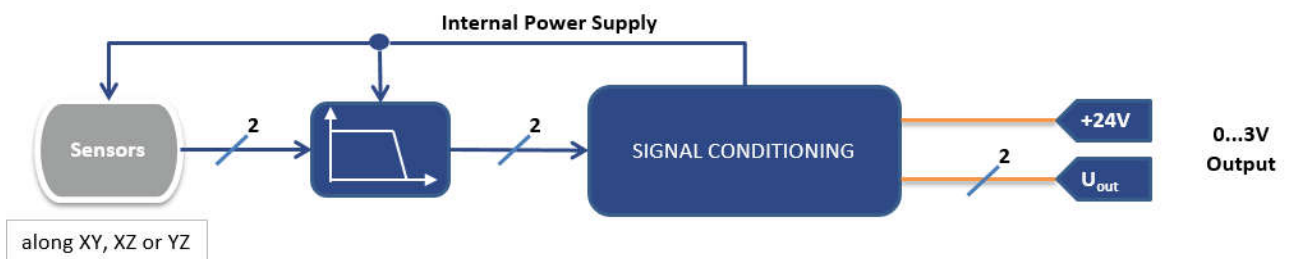




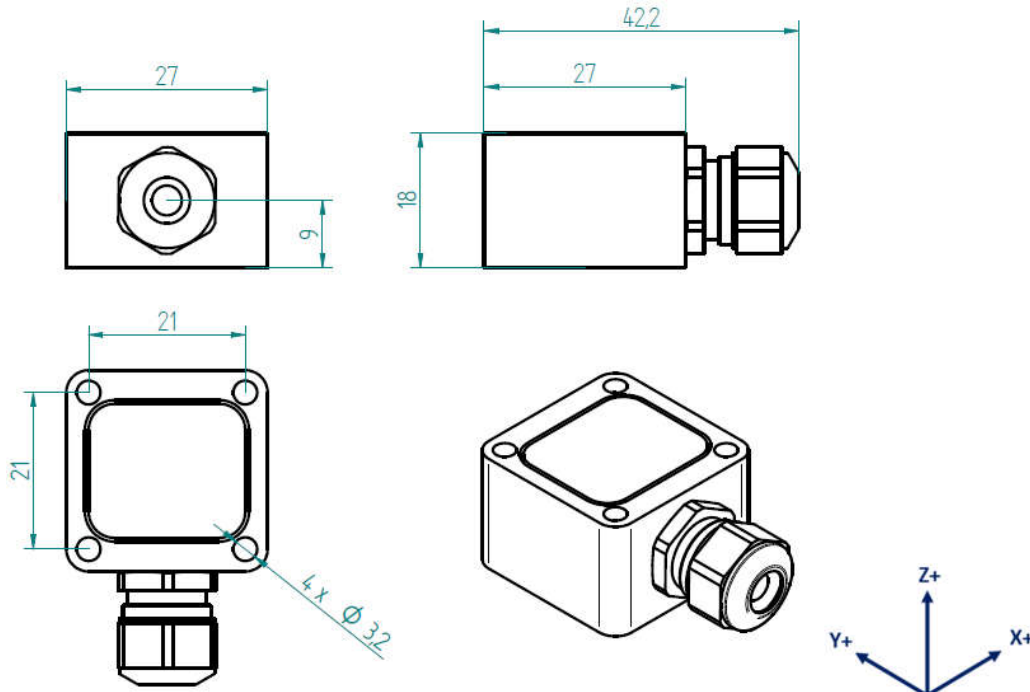
**Properties**

- 2 axes
- Suited for direct connection to standard control and measurement equipment, e.g. PLCs or panel meters
- Embedded 0..3V signal conditioning
- Galvanically Isolated
- Protected against false polarization
- Compact and rugged design
- Protection grade IP67

**Block Diagram**



**Dimensions**



Rue du Trou du Sart 10  
B-5380 Fernelmont  
Belgium  
EU ID.:BE0466034916

Tel. +32(0)81248100  
Fax. +32(0)81248101  
[info@recovib.com](mailto:info@recovib.com)  
<http://www.recovib.com>

**Specifications**

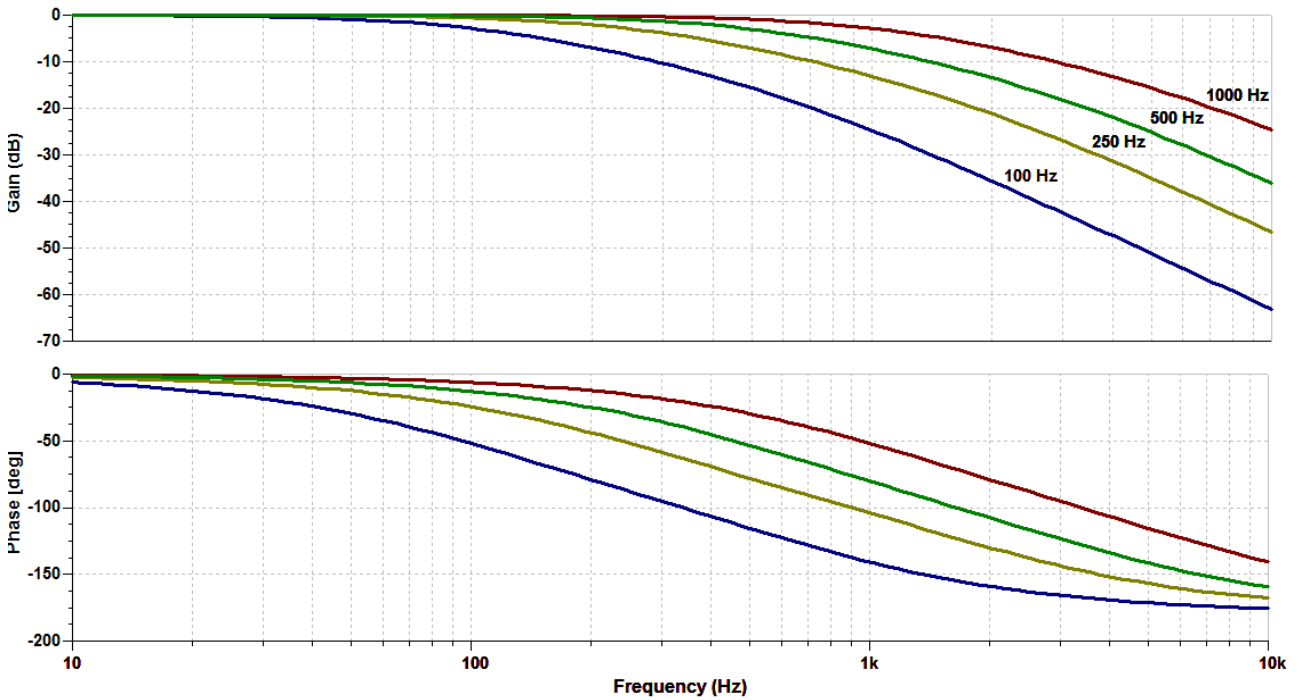
Output / channel	Output Range	0 .. 3.0V	
	Supply voltage	12 ..30V	
	Measuring Range	±2 g or ±6 g	
	Sensitivity	0.6 V /g (±2g range) or 0.2V/g (±6g range)	
	Lower frequency limit	0 Hz (DC)	
	Upper -3 dB frequency limit	100, 250, 500 or 1000 Hz (1 <sup>st</sup> or 2 <sup>nd</sup> order)	
	Non-linearity	±0.5% F.S.	
	Residual noise	< 50 µg/√Hz	
	Transverse sensitivity	< 5%	
	Destruction limit	±5000 g	
Environmental characteristics		<b>Operating</b>	<b>Non-Operating</b>
	Operating temperature range	-20 .. 85°C (-4 .. 185°F)	-40 .. 85°C (-40 .. 167°F)
	Temperature coefficient of sensitivity	±0.01 %/°C	
	Temperature drift of zero point	±0.5 mg/°C	
Protection grade	IP 67		
Mechanical Data	Weight Without Cable	30gr	
	Case Material	Aluminum (MIL-A-8625 Type I coating)	
	Mounting	3.2mm diameter holes (4x)	



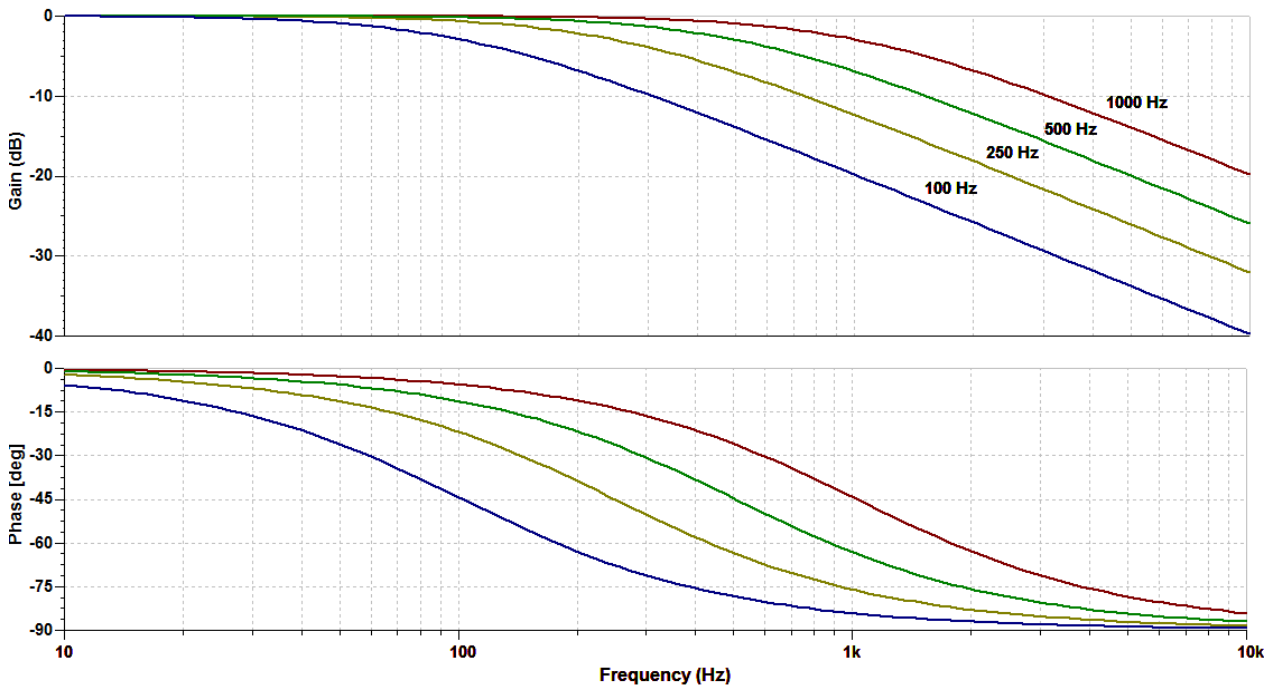
Rue du Trou du Sart 10  
B-5380 Fernelmont  
Belgium  
EU ID.:BE0466034916

Tel. +32(0)81248100  
Fax. +32(0)81248101  
[info@recovib.com](mailto:info@recovib.com)  
<http://www.recovib.com>

Possible Internal Filter Frequency Responses



2<sup>nd</sup> order filters



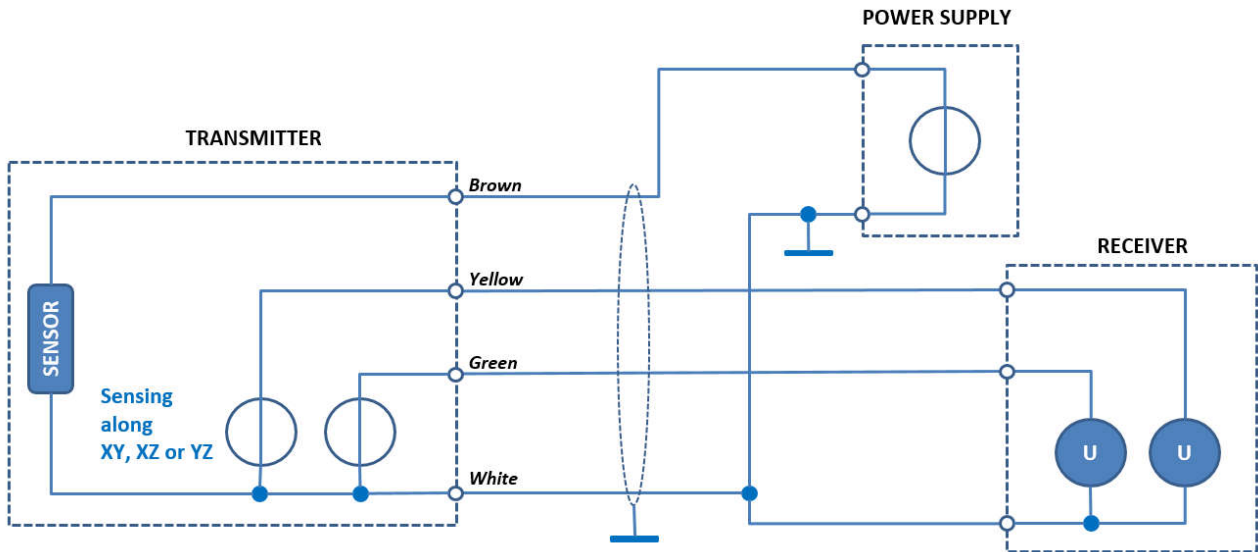
1<sup>st</sup> order filters



Rue du Trou du Sart 10  
B-5380 Fernelmont  
Belgium  
EU ID.:BE0466034916

Tel. +32(0)81248100  
Fax. +32(0)81248101  
[info@recovib.com](mailto:info@recovib.com)  
<http://www.recovib.com>

Electrical Connections



Ordering Information

IAC	-	U	-	02	-	AA	-	X g	-	XXXX Hz	-	X	-	XXXX cm	
						<b>Sensing Axes</b>			<b>RANGE</b>		<b>Low Pass Filter Frequency</b>		<b>Low Pass Filter Order</b>		<b>Cable Length</b>
						XY	2		± 2g		0100 100Hz		1 1st order		
						XZ	6		± 6g		0250 250Hz		2 2nd order		
						YZ					0500 500Hz				
											1000 1000Hz				



Rue du Trou du Sart 10  
B-5380 Fernelmont  
Belgium  
EU ID.:BE0466034916

Tel. +32(0)81248100  
Fax. +32(0)81248101  
[info@recovib.com](mailto:info@recovib.com)  
<http://www.recovib.com>