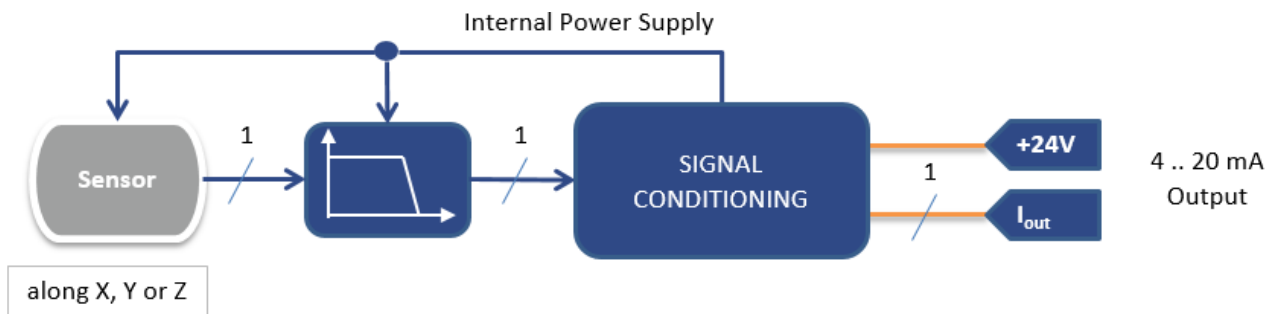




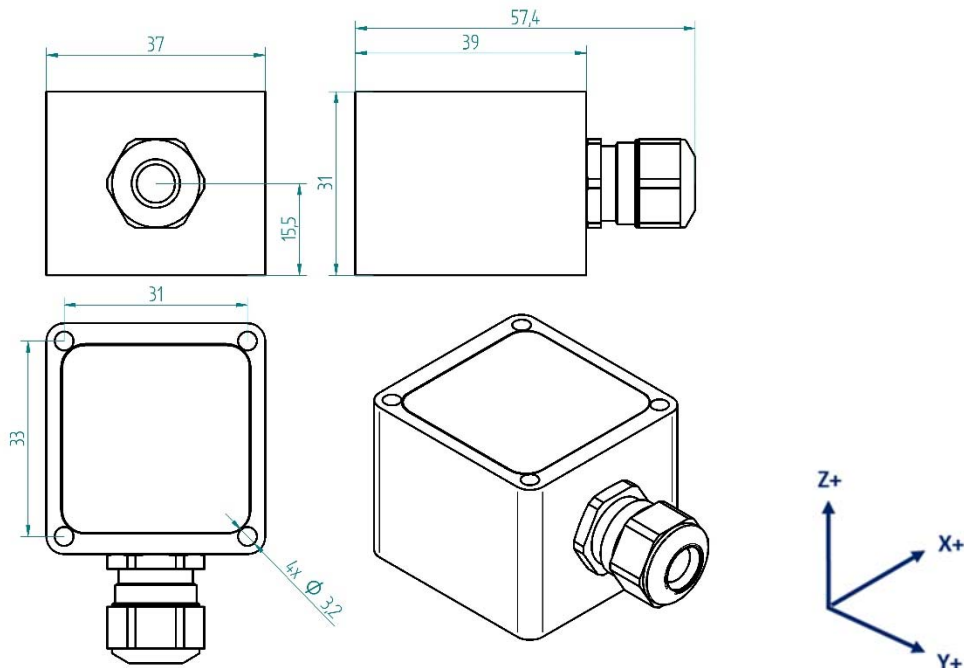
Properties

- 2 axis, low noise, high resolution
- Suited for direct connection to standard control and measurement equipment, e.g. PLCs or panel meters
- Embedded 4..20mA signal conditioning
- Galvanically Isolated
- Protected against false polarization
- Compact and rugged design
- Protection grade IP67

Block Diagram



Dimensions



Rue du Trou du Sart 10  
 B-5380 Fernelmont  
 Belgium  
 EU ID.:BE0466034916

Tel. +32(0)81248100  
 Fax. +32(0)81248101  
[info@recovib.com](mailto:info@recovib.com)  
<http://www.recovib.com>

**Specifications – All Models**

Output / channel	Output Range	4 . . 20 mA	
	Supply voltage	10...30 VDC	
	Lower frequency limit	0 Hz (DC)	
	Non-linearity	± 0.5% F.S.	
	Sensitivity error	0.5 % typ. – 1 % max.	
	Transverse Sensitivity	2 % typ. – 3 % max.	
	Offset	0.2 % F.S. typ. – 0.5 % F.S. max.	
	Destruction limit	± 5000 g	
Environmental characteristics		<b>Operating</b>	<b>Non-Operating</b>
	Operating temperature range	-40...80 °C <sup>(1)</sup>	-55...125 °C
	Temperature coefficient of sensitivity	± 0.03 %/°C	
	Temperature drift of zero point	± 0.02 % F.S./°C	
	Protection grade	IP 67	
Mechanical Data	Weight Without Cable	45gr	
	Case Material	Aluminum (MIL-A-8625 Type II coating) <sup>(2)</sup>	
	Mounting	3.2 mm diameter holes (4x)	

(1) Maximum temperature due to accelerometer cable – operating temperature up to +125°C possible with special cable upon request

(2) Stainless Steel Casing and Cable Gland A4 (AISI316) Grade Upon Request (e.g. for offshore/marine environment)

**Performances - By Model**

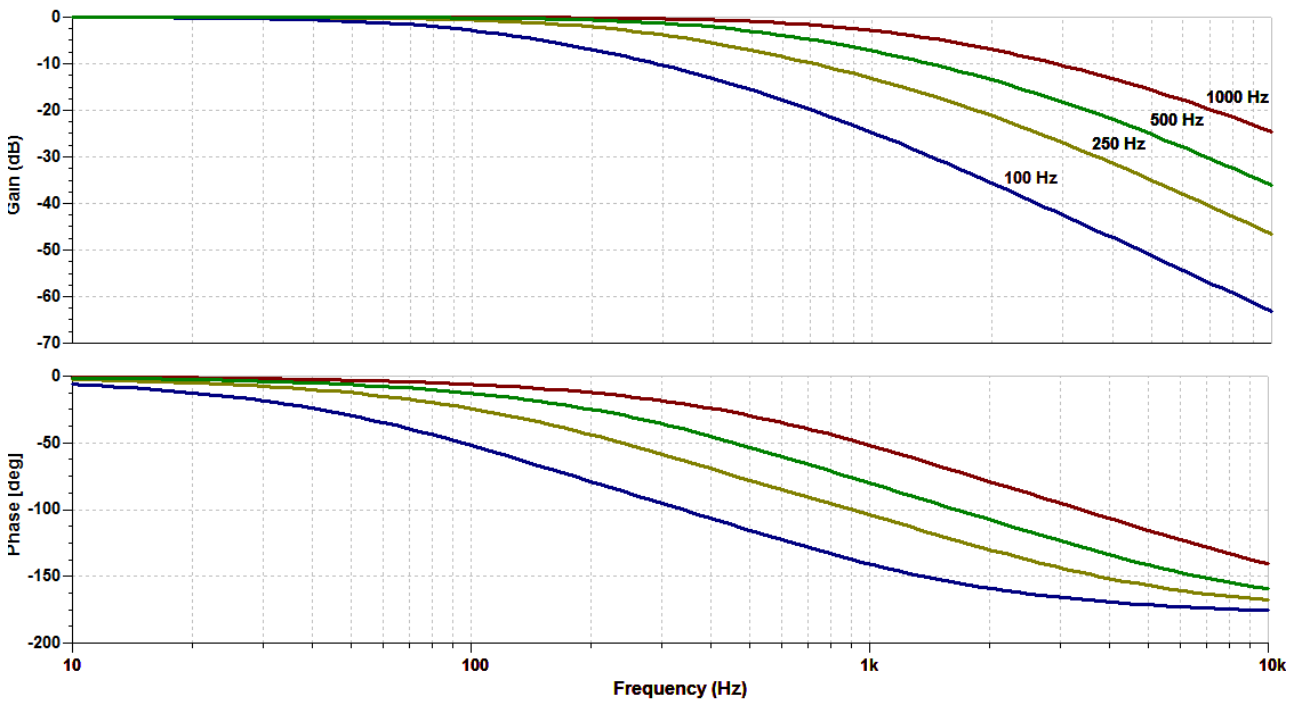
Range	Sensitivity	Frequency Response (-3dB)	Noise
g	µA/g	Hz	µg/√Hz
± 2	4000	0 – 400	8
± 5	1600	0 – 600	10
± 10	800	0 – 1000	13
± 25	320	0 – 1500	28
± 50	160	0 – 2000	53
± 100	80	0 – 2500	100
± 200	40	0 – 3000	200
± 400	20	0 - 4000	400



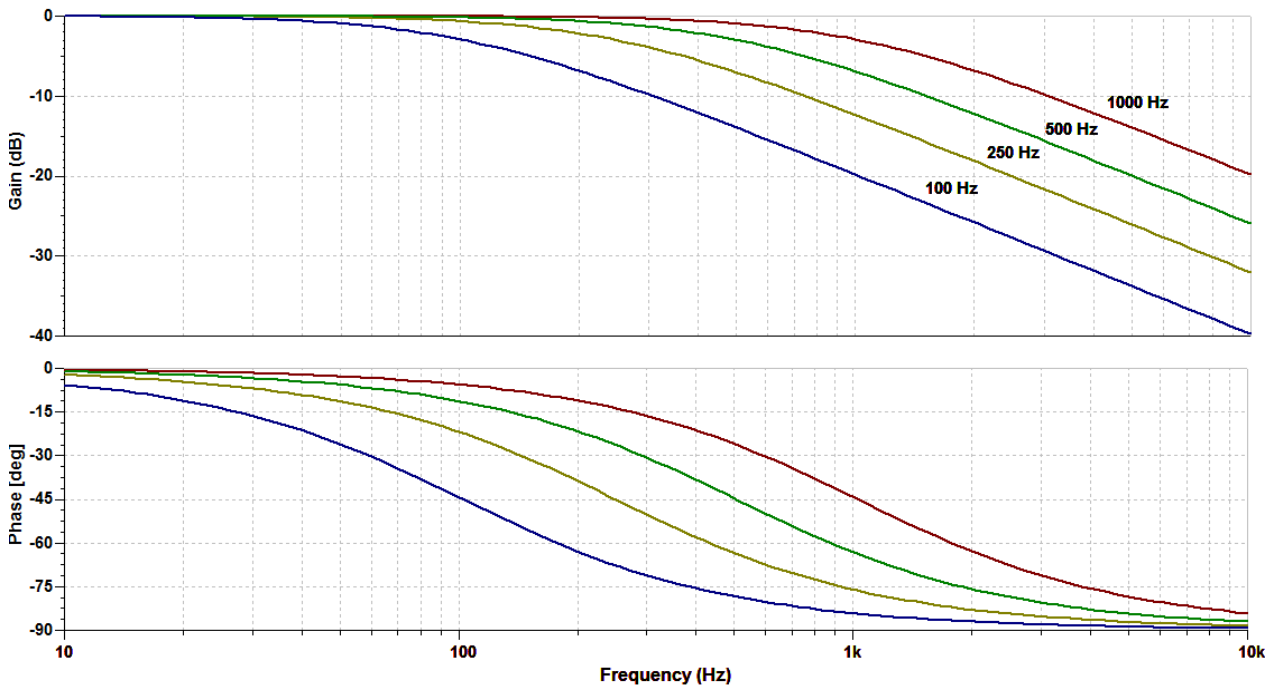
Rue du Trou du Sart 10  
B-5380 Fernelmont  
Belgium  
EU ID.:BE0466034916

Tel. +32(0)81248100  
Fax. +32(0)81248101  
[info@recovib.com](mailto:info@recovib.com)  
<http://www.recovib.com>

Possible Filter Amplitude Responses



2<sup>nd</sup> order filters



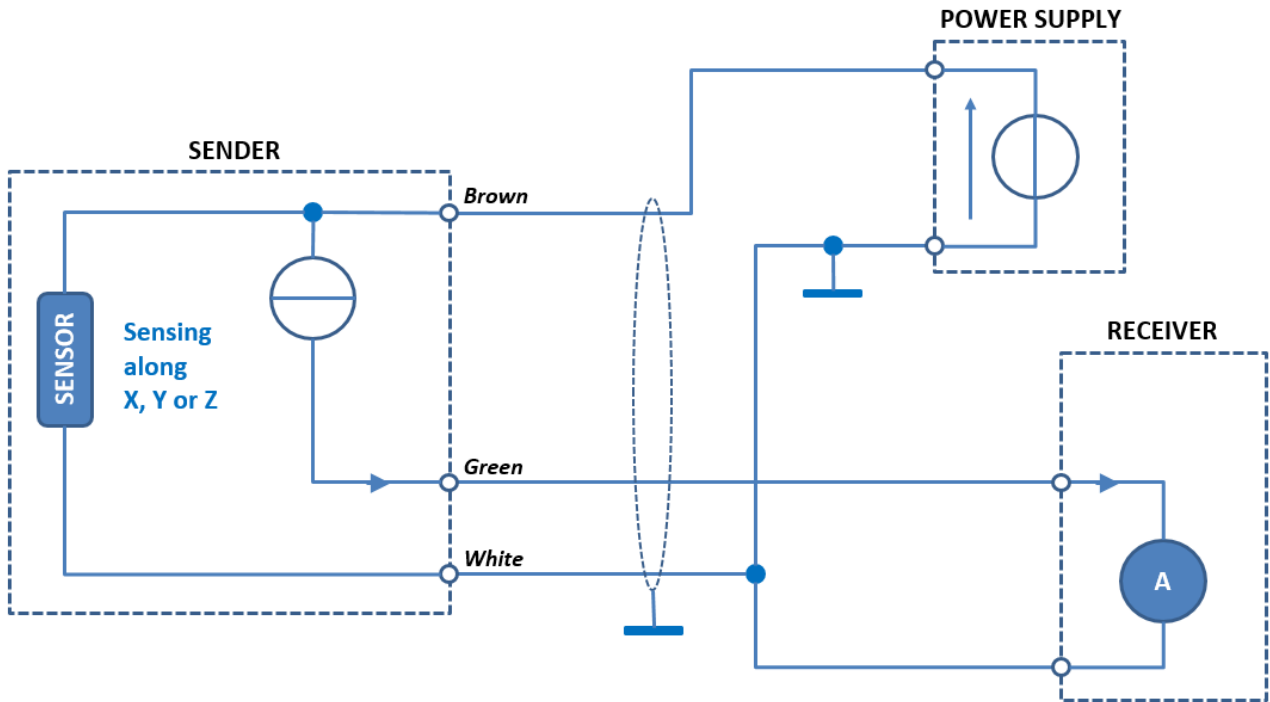
1<sup>st</sup> order filters



Rue du Trou du Sart 10  
 B-5380 Fernelmont  
 Belgium  
 EU ID.:BE0466034916

Tel. +32(0)81248100  
 Fax. +32(0)81248101  
[info@recovib.com](mailto:info@recovib.com)  
<http://www.recovib.com>

Electrical Connections



Ordering Information

IAC	-	HiRes	-	01	-	A	-	X	-	XXXX Hz	-	X	-	XXXX cm	
						Sensing Axes		Range		Low Pass Filter Frequency		Filter Order		Cable Length	
						X		2 ± 2g		0100 100Hz		1 1 <sup>st</sup> order			
						Y		6 ± 6g		0250 250Hz		2 2 <sup>nd</sup> order			
						Z				0500 500Hz					
										1000 1000Hz					



Rue du Trou du Sart 10  
B-5380 Fernelmont  
Belgium  
EU ID.:BE0466034916

Tel. +32(0)81248100  
Fax. +32(0)81248101  
[info@recovib.com](mailto:info@recovib.com)  
<http://www.recovib.com>