

Displacement Sensor, Ultra Flat



FEATURES

- Sealed
- Infinite resolution
- High integration capacity
- Durability
- Rectilinear: UFPMA type
- Circular: UFPMC type


RoHS
COMPLIANT

QUICK REFERENCE DATA

Sensor type	LINEAR or ROTATIONAL, conductive plastic
Output type	Output by wires or connector
Market appliance	Avionics
Dimensions	4 mm (thickness max.)

ELECTRICAL SPECIFICATIONS

PARAMETER	UFPMA	UFPMC
Total resistance (R_n)		4.7 k Ω
Tolerance on R_n		$\pm 20\%$
Dissipation	≤ 0.1 W/cm of travel ⁽¹⁾	≤ 1 W to 70 °C
Theoretical electrical travel (TET)	20 mm to 250 mm ⁽¹⁾	270°
Tolerance on TET	± 1 mm	$\pm 3^\circ$
Electrical continuity travel	TET + 4 mm	310°
Linearity	$\pm 2\%$	$\pm 1.5\%$
Temperature coefficient	-300 ppm/°C \pm 300 ppm/°C	
Collector / track current (I_c)	≤ 1 mA	
Recommended current I_c	≤ 100 μ A	
Recommended load impedance	$\geq 100 R_n$	
Output smoothness	$< 0.1\%$ (NFC 93 255)	

Note

⁽¹⁾ See "Specific UFPMA Characteristics" table

MECHANICAL SPECIFICATIONS

PARAMETER	UFPMA	UFPMC
Design	Flexible insulating films	Flexible insulating films on FR4 substrate
Mechanical travel	= Electrical continuity travel	= Electrical continuity travel (customer stops)
Backlash	< 0.1 mm	$< 0.3^\circ$
Mounting	With double-sided adhesive on flat, clean, and dry support	
Speed displacement	≤ 1.5 m/s	
Drive	Torque ≥ 0.3 N	Torque ≥ 1 N cm
Protection class (NFC 20 010)	IP 66	
Maximum alignment fault	± 1 mm	-

PERFORMANCE

PARAMETER	UFPMA	UFPMC
Life	25M operations for TET < 200 mm	> 10 M cycles
	15M operations for TET ≥ 200 mm	
Operating temperature range	-30 °C to +80 °C	
Storage temperature range	-40 °C to +90 °C	
Support	Flat, clean, and dry	

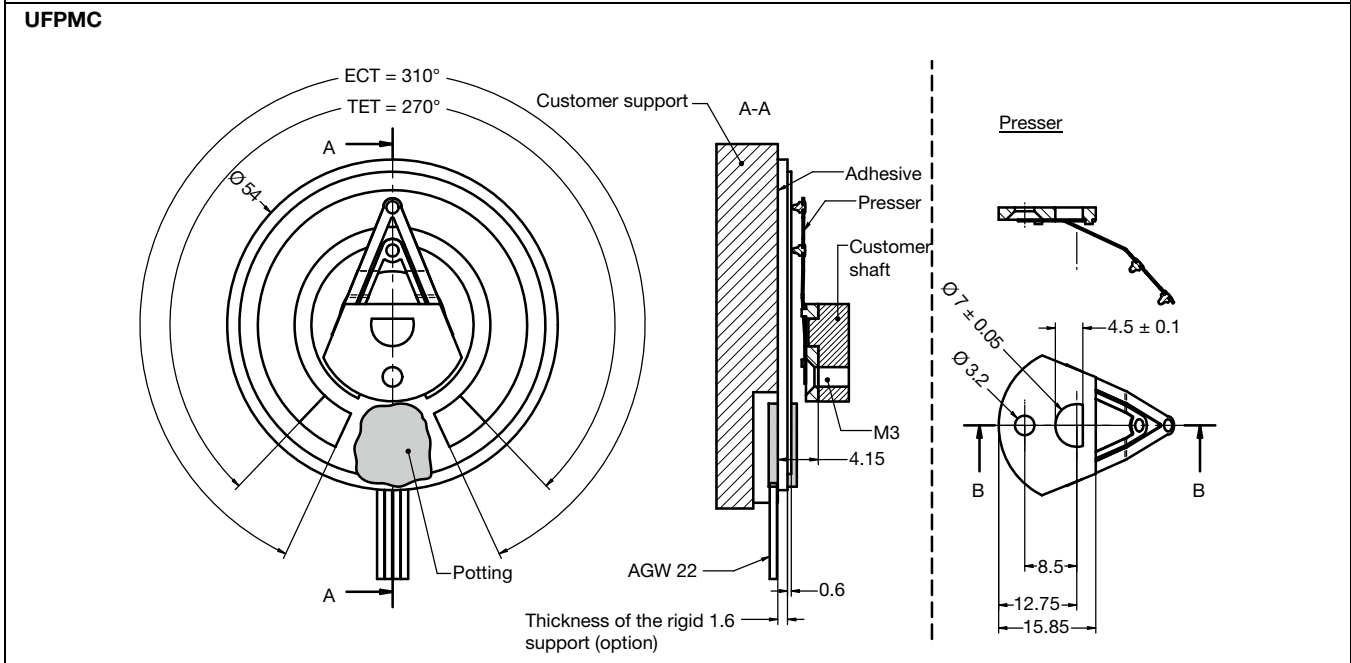
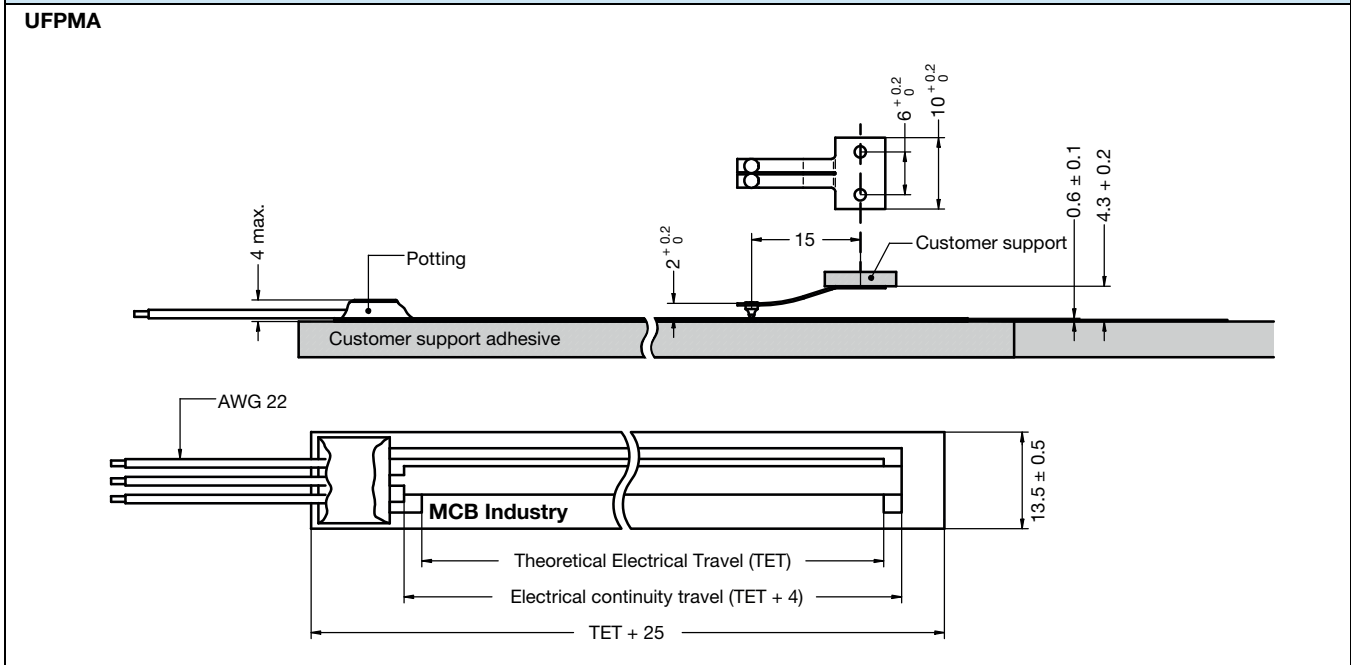
Note

- Nothing stated herein shall be construed as a guarantee of quality or durability.

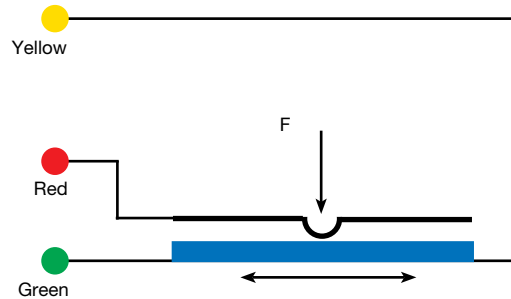
ORDERING INFORMATION / DESCRIPTION			
UFPMA	250	A
SENSOR TYPE (UFPMA or UFPMC)	THEORETICAL ELECTRICAL TRAVEL (UFPMA only)	SPECIAL PRESSER (Optional)	SPECIAL FEATURE (Plain language)

CONNECTIONS
3 x AWG 22 color wires length 300 mm

DIMENSIONS in millimeters



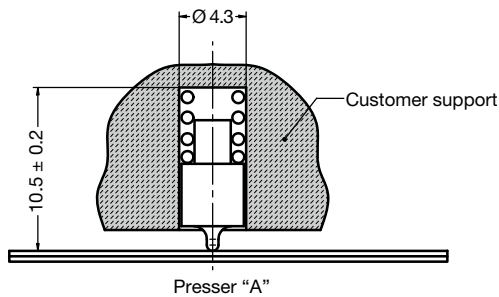
ELECTRICAL DIAGRAM



The voltage varies according to the position of the presser on the deformable membrane.

OPTIONS (on request)

- Other presser

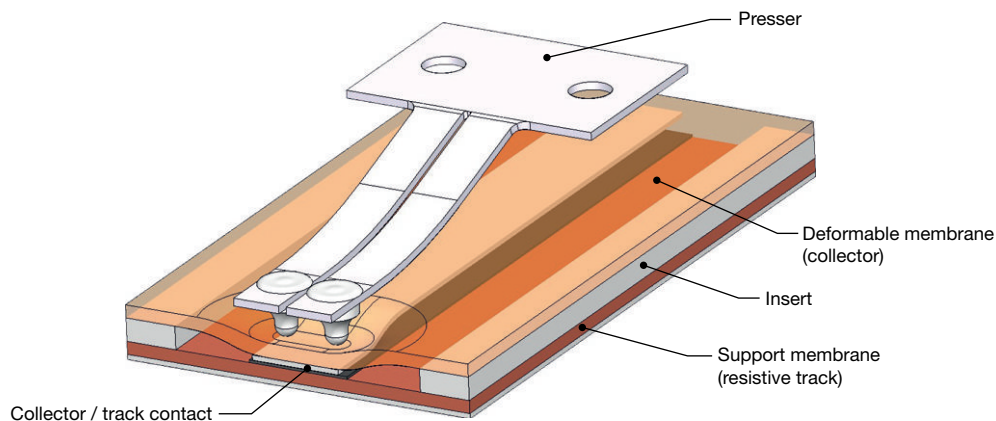


SPECIFIC VERSIONS (on request)

- Other electrical or mechanical characteristics
- Other bases
- Integration in equipment
- Other versions: outdoor design, ...
- Integration in equipment (flat flex cable, contacts, connector, ...)

SPECIFIC UFPMA CHARACTERISTICS			
THEORETICAL ELECTRICAL TRAVEL (TET) (mm)	DISSIPATION AT +40 °C (W)	ELECTRICAL CONTINUITY TRAVEL (ECT) (mm)	FILM LENGTH (mm)
50	≤ 0.5	54	75
100	≤ 1.0	104	125
150	≤ 1.5	154	175
200	≤ 2.0	204	225
250	≤ 2.5	254	275

OPERATING DESCRIPTION





Disclaimer

ALL PRODUCT, PRODUCT SPECIFICATIONS AND DATA ARE SUBJECT TO CHANGE WITHOUT NOTICE TO IMPROVE RELIABILITY, FUNCTION OR DESIGN OR OTHERWISE.

Vishay Intertechnology, Inc., its affiliates, agents, and employees, and all persons acting on its or their behalf (collectively, "Vishay"), disclaim any and all liability for any errors, inaccuracies or incompleteness contained in any datasheet or in any other disclosure relating to any product.

Vishay makes no warranty, representation or guarantee regarding the suitability of the products for any particular purpose or the continuing production of any product. To the maximum extent permitted by applicable law, Vishay disclaims (i) any and all liability arising out of the application or use of any product, (ii) any and all liability, including without limitation special, consequential or incidental damages, and (iii) any and all implied warranties, including warranties of fitness for particular purpose, non-infringement and merchantability.

Statements regarding the suitability of products for certain types of applications are based on Vishay's knowledge of typical requirements that are often placed on Vishay products in generic applications. Such statements are not binding statements about the suitability of products for a particular application. It is the customer's responsibility to validate that a particular product with the properties described in the product specification is suitable for use in a particular application. Parameters provided in datasheets and/or specifications may vary in different applications and performance may vary over time. All operating parameters, including typical parameters, must be validated for each customer application by the customer's technical experts. Product specifications do not expand or otherwise modify Vishay's terms and conditions of purchase, including but not limited to the warranty expressed therein.

Except as expressly indicated in writing, Vishay products are not designed for use in medical, life-saving, or life-sustaining applications or for any other application in which the failure of the Vishay product could result in personal injury or death. Customers using or selling Vishay products not expressly indicated for use in such applications do so at their own risk. Please contact authorized Vishay personnel to obtain written terms and conditions regarding products designed for such applications.

No license, express or implied, by estoppel or otherwise, to any intellectual property rights is granted by this document or by any conduct of Vishay. Product names and markings noted herein may be trademarks of their respective owners.

Material Category Policy

Vishay Intertechnology, Inc. hereby certifies that all its products that are identified as RoHS-Compliant fulfill the definitions and restrictions defined under Directive 2011/65/EU of The European Parliament and of the Council of June 8, 2011 on the restriction of the use of certain hazardous substances in electrical and electronic equipment (EEE) - recast, unless otherwise specified as non-compliant.

Please note that some Vishay documentation may still make reference to RoHS Directive 2002/95/EC. We confirm that all the products identified as being compliant to Directive 2002/95/EC conform to Directive 2011/65/EU.

Vishay Intertechnology, Inc. hereby certifies that all its products that are identified as Halogen-Free follow Halogen-Free requirements as per JEDEC JS709A standards. Please note that some Vishay documentation may still make reference to the IEC 61249-2-21 definition. We confirm that all the products identified as being compliant to IEC 61249-2-21 conform to JEDEC JS709A standards.