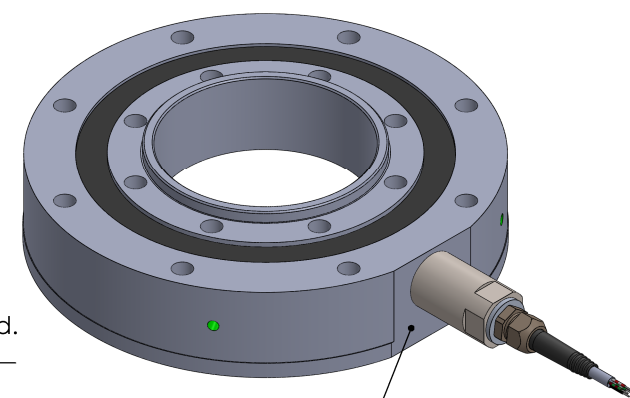
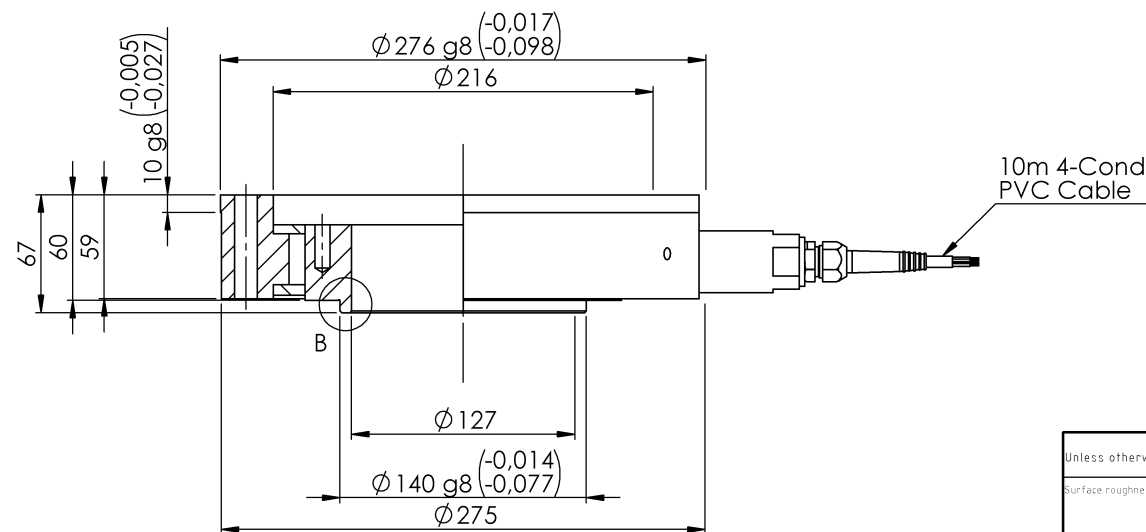


DETAIL B
SCALE 2 : 1



Märkes
 CLC-FA 1605
 350 kN
 S/N XXX XXX

Drawing correct
 and accepted.
 Sign:.....
 Date:.....



SECTION A-A
SCALE 1 : 3

Unless otherwise stated the following applies		Drawn Cmm	Designation Stainless Steel
Surface roughness R _a μm 3,2	Sharp edges broken R 0,2-0,5 Fillet radii R 0,2-0,5	Checked EAT	Condition
Proj. method 	Machining tolerances acc. to SS-EN ISO 13920 class: mK Welding tolerances acc. to SS-EN ISO 13920 class:	Date	Basic material
Surface treated	Designation CLC-FA 1605 350kN	Scale	File name 503415r0.SLDDRW
Assembly	503 415	Latest rev. 0	BLH NOBEL A VPG Brand